

JP-8000

SERVICE NOTES

First Edition

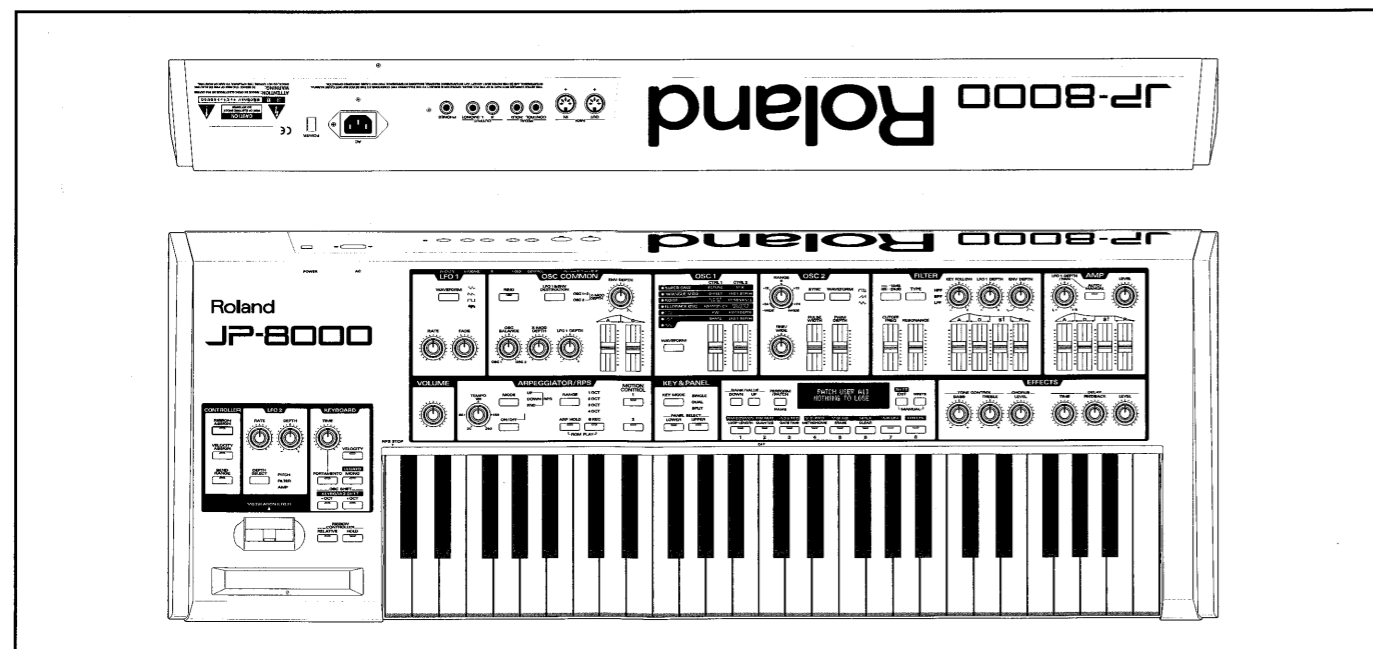
Issued by RJA

TABLE OF CONTENTS

Specifications
Location of Controls
Exploded View
Parts List
Keyboard Parts List
Keyboard Assembly
Saving&Loading USER DATA
Identifying the Version Number
Factory Preset
TEST MODE
Memory Test
MIDI Test
SW & LED Test
Bender Set & Check
Ribbon Set & Check
A/D Test
Hold Pedal Test
LCD Test
Sound Test
Error Message in Memory Test
Block Diagram
How to Update the Software
Cautions and Check Points for Repairing
Circuit Board (Main)
Circuit Diagram (Main)
Circuit Board (Panel A)
Circuit Diagram (Panel A)
Circuit Board (Panel B)
Circuit Diagram (Panel B)
Circuit Board (Panel C, Jack, Power supply)
Circuit Diagram (Panel C)
Circuit Diagram (Jack)
Circuit Diagram (Power supply)

目次

仕様 1
パネル図 2
分解図 3
パーツリスト 4-6
鍵盤パーツリスト 7
鍵盤組立手順 7-8
ユーザーデータのセーブとロード 9
バージョンナンバーの確認方法 9
ファクトリープリセット 9
テストモード 9
メモリーテスト 10
MIDI テスト 10
SW & LED テスト 11
ベンダー設定及び確認 11
リボン調整及び確認 12
A/D テスト 12
Hold Pedal テスト 13
LCD テスト 13
Sound テスト 14
メモリーテストのエラーメッセージ 15
ブロック図 15
バージョンアップの方法 16
修理作業上の注意とポイント 17
基板図 (Main) 18
回路図 (Main) 19-23
基板図 (Panel A) 24
回路図 (Panel A) 25
基板図 (Panel B) 26
回路図 (Panel B) 27
基板図 (Panel C, Jack, Power supply) 28
回路図 (Panel C) 29
回路図 (Jack) 30
回路図 (Power supply) 31



Specifications / 仕様

- KEYBOARD/鍵盤 49 keys(velocity sensitive)/49鍵(ペロシティ付き)
- SOUND GENERATOR/音源 Maximum Polyphony/最大同時発音数
8 voices
Number of Parts/パート数
2 parts
Effect/エフェクト
Tone Control/トーンコントロール
BASS, TREBLE
Chorus/コーラス
12 types
Delay/ディレイ
5 types
- ARPEGGIATOR&RPS/アルペジエーター&RPS Arpeggio mode/アルペジオモード
UP, DOWN, UP&DOWN, RANDOM
Resolution/分解能
24 clocks per quarter note/4分音符=24クロック
Recording method/レコーディング方式
REALTIME
- MEMORY CAPACITY/メモリー容量 System Setup 1
Patch User 128
Preset 128
Performance User 64
Preset 64
RPS Pattern 48
(Maximum loop length: 4 measures)
Motion 4
(Maximum loop length: 8 measures)
- DISPLAY/ディスプレイ 16 characters, 2 lines (LCD with back-light)
- CONNECTORS/コネクタ Phones
(Impedance 100Ω)
Output Jacks (L/MONO, R)
(Impedance 2.2kΩ / Noise Level -85dBm, DIN-Audio)
Hold Pedal
Control Pedal
MIDI (IN, OUT)
- POWER CONSUMPTION/消費電力 100V/21W, 117V/24W, 230V/28W, 240V/28W
- DIMENSIONS/外形寸法 925(W)×349(D)×113(H) mm
36-7/16(W)×13-3/4(D)×4-1/2(H) inches
- WEIGHT/重量 8kg / 17lbs 11oz
- ACCESSORIES(standard)/標準付属品 AC Cord set/電源コード
100V SP18A+IS14 VCTF2X0.75 (00894367)
117V SP301+IS14 SJT18/3 (00894378)
230VD SP22+IS14 H05VV-F3G1.0 (00894389)
230VE KP-610,GTBS-3,KS-31A (00907001)
240V SC-114-J01 ES303-10HMA (23495124)
Owner's Manual Set/マニュアルセット
MANUAL SET JAPANESE (70789767)
MANUAL SET ENGLISH (70895689)
- OPTIONS/オプション Pedal Switch DP-2/6, FS-5U(BOSS)
Expression Pedal EV-5
MIDI/SYNC Cable MSC-15/25/50
Monitor Amp. MA-12
Keyboard Stand KS-12

1 2 3 4 5 6 7 8 9 10 11 12 13 14 15 16 17 18 19 20 21 22 23 24 25 26 27 28 29 30 31 32 33 34 35 36 37 38 39 40

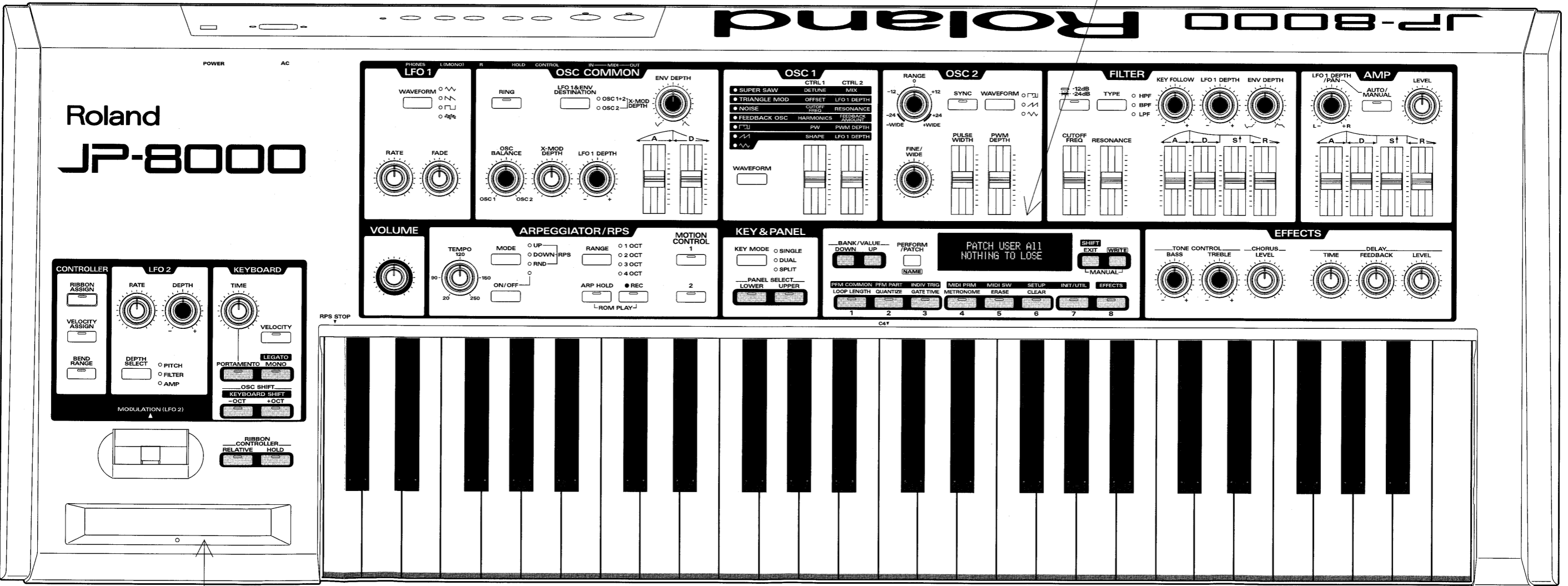
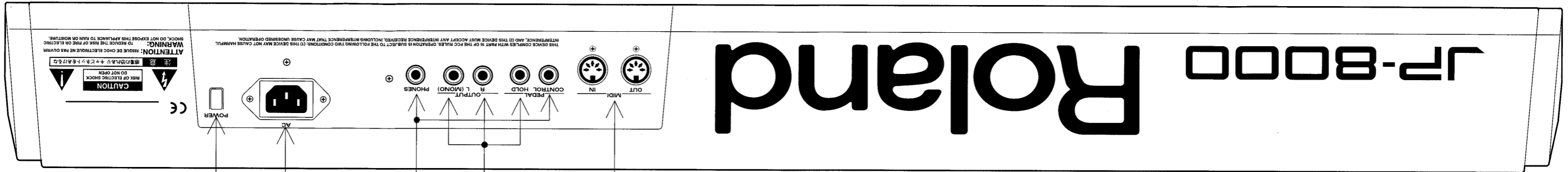
A Location of Controls / パネル図

B
C
D
E
F
G
H
I
J
K
L
M
N
O
P
Q
R
S
T
U
V

All rotary knobs are 00231401 (U R-KNOB MF270 BLK/LCG)
 All knobs of slide VR are 22485187 (A S-KNOB M BLK/LCG)
 All slide VRs are 01127634 (EWA NQ9 X10 B24)
 All push switches are 13169752 (EVQ 213 05R)

- 00900189 D S-KEYTOP SX1H BLK
- 22495277 D S-KEYTOP MD1H BLK
- ▬ 00900190 D S-KEYTOP SX2H BLK
- ▬ 22495278 D S-KEYTOP MD2H BLK
- 22495274 D S-KEYTOP MX1H BLK
- ▬ 22495279 D S-KEYTOP MD3H BLK

- ⊗ 01127623 EVU J96 F20 B24
- ⊗ 01129878 EVU J97 F20 B24 (center clicked)
- ⊗ 01127645 EVJ Y00 F20 A53 (Main volume)



01121790 RIBBON SENSOR
 01121789 SENSOR HOLDER

1 2 3 4 5 6 7 8 9 10 11 12 13 14 15 16 17 18 19 20 21 22 23 24 25 26 27 28 29 30 31 32 33 34 35 36 37 38 39 40

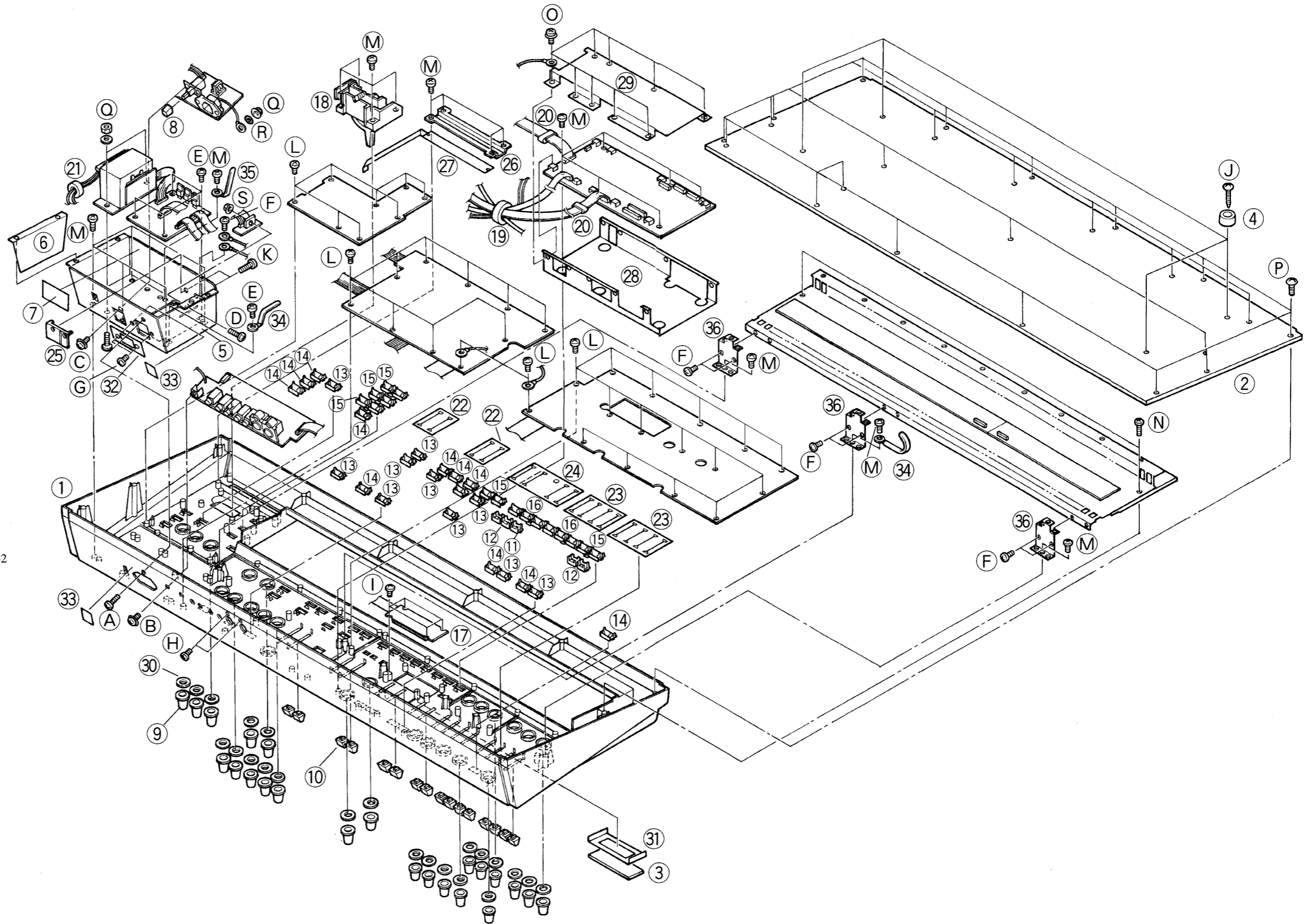
A Exploded View / 分解図

[PARTS]

No.	Part No.	Description
①	01019801	TOP CASE
②	01121390	BOTTOM BOARD
③	01121401	DISPLAY COVER
④	12359105	RS-09 FOOT W 235-105
⑤	01121489	PWR SPLY HOLDER
⑥	01128312	INSULATING SHEET
⑦	40126812	CAUTION LABEL BARRIER
⑧	12499175	G S-BUTTON S1H BLK
⑨	00231401	U R-KNOB MF270 BLK/LCG
⑩	22485187	A S-KNOB M BLK/LCG
⑪	00900189	D S-KEYTOP SX1H BLK
⑫	00900190	D S-KEYTOP SX2H BLK
⑬	22495274	D S-KEYTOP MX1H BLK
⑭	22495277	D S-KEYTOP MD1H BLK
⑮	22495278	D S-KEYTOP MD2H BLK
⑯	22495279	D S-KEYTOP MD3H BLK
⑰	00127378	RCM7044U-1A
⑱	70564101	PB-H0201 BENDER TURBOLESS
⑲	12499323	ESD-R-25SSD
⑳	00564734	SSC-33.5-12-M
㉑	00568434	TR-20-10-10-M
㉒	01121423	POT DUST COVER 2H L=30
㉓	01121445	POT DUST COVER 4H L=30
㉔	01231623	POT DUST COVER A (4H L=30)
㉕	00782734	XP-50 IC FOLDER
㉖	01121789	SENSOR HOLDER
㉗	01121790	RIBBON SENSOR
㉘	01127412	SHIELD SHEET
㉙	01121467	SHIELD COVER
㉚	01231589	SPACER VOLUME D6*16.8 T1
㉛	01231590	INSULATING SPACER
㉜	01233745	DUST COVER PS INLET
㉝	40013812	CAUTION SEAL IEC GROUND MARK #142
㉞	40017367	Clip CS-6
㉟	40017378	Clip CS-7
㊱	00896989	XP-10 KEYBOARD HOLDER

[SCREWS]

No.	Part No.	Description
A	40230523	Binding Screw 4×12mm BZC
B	40012956	Double Sems 3×8mm BZC
C	40012878	Double Sems 3×10mm ZC
D	40012889	Double Sems 3×12mm ZC
E	40011056	Binding Taptight B 3×6mm ZC
F	40011067	Binding Taptight B 3×8mm ZC
G	40011123	Binding Taptight B 4×8mm BZC
H	40011323	Binding Taptight P 3×10mm BZC
I	40011223	Binding Taptight P 2.6×6mm Ni
J	40010734	Binding Taptight A 3×12mm ZC
K	40015956	Binding Taptight S 3×12mm BZC
L	40011178	Pan Taptight P 3×6mm ZC
M	40011189	Pan Taptight P 3×8mm ZC
N	40011212	Pan Taptight P 3×16mm BZC
O	40013056	Double Sems 3×6mm ZC
P	40237023	Tras Taptight B 4×20mm BZC
Q	40011745	Nut with Spring Washer M4 ZC
R	40011889	Outer teeth Washer M4 ZC
S	40011756	Flange Nut M3 ZC



A
B
C
D
E
F
G
H
I
J
K
L
M
N
O
P
Q
R
S
T
U
V

Parts List / パーツリスト

SAFETY PRECAUTIONS:

The parts marked Δ have safety-related characteristics.
Use only listed parts for replacement.

安全上の注意:

Δ が付いている部品は、安全上特別な規格でつくられたものです。
交換の際は、注意をよく読み、指定された部品番号以外の部品は使わないようにして下さい。

CONSIDERATIONS ON PARTS ORDERING

When ordering any parts list in the parts list, please specify the following items in the order sheet.

Ex.	QTY	PART NUMBER	DESCRIPTION	MODEL NUMBER
10		22575241	Sharp key	C-20/50
15		2247017300	Knob (orange)	DAC-15D

Failure to completely fill the above items with correct number and description will result in delayed or even undelivered replacement.

パーツ発注に関するお願い

オーダーシートには、必ず下記の4項目は正確に記入して下さい。(例外は除く)

必要数	パーツナンバー	品名	使用機種
例) 10	22575241	Sharp key	C-20/50
15	2247017300	Knob (orange)	DAC-15D

もし記入忘れ、誤記等有る場合、必要部品が発送できなかったり、大幅な遅れの原因になります。御協力をお願いします。

MB ==> Main Board

PA ==> Panel board A

PC ==> Panel board C

PS ==> Power Supply board

BB ==> Bridge Board

PB ==> Panel board B

JK ==> Jack board

JP ==> JumPer board

IB ==> Inlet Board

NOTE : The parts marked # are new(initial parts).

注 意 : # が付いた部品は、新規です。

CASING/ケース

# 01019801	TOP CASE
# 01121390	BOTTOM BOARD
# 01121401	DISPLAY COVER
12359105	RS-09 FOOT W 235-105

CHASSIS/シャーシ

# 01121489	PWR SPLY HOLDER
# 01128312	INSULATING SHEET
40126812	CAUTION LABEL BARRIER

NOTE : When ordering 01121489, be sure to order 01128312 and 40126812 along with it. (Refer to "Cautions and Check Points during Repair")

注 意 : 01121489をご注文の際は、他の2つの部品もあわせてご注文下さい。
(「修理作業上の注意とポイント」をご覧ください。)

KNOB,BUTTON/つまみ、ボタン

12499175	G S-BUTTON S1H BLK	Power Switch
00231401	U R-KNOB MF270 BLK/LCG	Rotary VR
22485187	A S-KNOB M BLK/LCG	Slide VR
00900189	D S-KEYTOP SX1H BLK	small
00900190	D S-KEYTOP SX2H BLK	small, double
22495274	D S-KEYTOP MX1H BLK	
22495277	D S-KEYTOP MD1H BLK	with lens
22495278	D S-KEYTOP MD2H BLK	with lens, double
22495279	D S-KEYTOP MD3H BLK	with lens, triple

SWITCH/スイッチ

13169752	EVQ 213 05R	on Panel boards
Δ 13129160	SDDBL1-B-D-2 TV-5	SW301 on IB

JACK, SOCKET/ジャック、ソケット

13429825	YKF51-5054	MIDI Socket	JK1 on JK
13449283	HLJ7101-01-3010	Mono	JK3-5 on JK
13449284	HLJ7001-01-3010	Stereo	JK2,6 on JK

DISPLAY UNIT/表示ユニット

00127378	RCM7044U-1A	LCD Unit
----------	-------------	----------

BENDER UNIT/ベンダーユニット

70564101	PB-H0201 BENDER TURBOLESS
----------	---------------------------

NOTE : The BENDER should be replaced as an entire unit. Individual (discrete) parts cannot be replaced.

注 意 : ベンダー交換は、ユニット単位で行ってください。
部品単位での交換はできません。

KEYBOARD/鍵盤完成品

# 70895767	SK-949-B KBD ASSY
------------	-------------------

NOTE : See 'SK-949-B PARTS LIST' for details.

注 意 : 詳細は、「鍵盤パーツリストSK-949-B」を参照してください。

PCB ASSY/基板完成品

# \square 70890112	MAIN BOARD ASSY
# 70890134	PANEL BOARD A ASSY
# 70890145	PANEL BOARD B ASSY
# 70894889	PANEL BOARD C ASSY
# 70894923	JACK BOARD ASSY
# 70894901	PS+JP BOARD ASSY
# 70894912	INLET BOARD ASSY

NOTE1 : The lithium battery mounted on the MAIN BOARD ASSY is not used for storing of data preset at the factory. Please note that even if the main board is ordered, it will not come mounted with the lithium battery.

NOTE2 : The replacement PS+JP BOARD ASSY consists of the following PCBs.

NOTE3 : The long leads on the LEDs mounted on the panel board tend to bend easily so take adequate precautions when replacing the board.

注 意1 : MAIN BOARD ASSY に装着されているリチウム電池は、工場出荷時のデータを保持する目的では使用されていません。MAIN BOARD ASSY をオーダーしても、リチウム電池は装着されていませんので、ご注意ください。

注 意2 : 補修用 PS+JP BOARD ASSY は、以下の基板から成ります。

- ・ POWER SUPPLY BOARD
- ・ JUMPER BOARD
- ・ BRIDGE BOARD

注 意3 : パネルボード上のLEDは、足が長く曲がりやすいので、ボード交換の際は注意してください。

IC

01016123	HD6413002FP16	CPU	IC1 on MB
# 01231701	28F400BV-B60	Flash	IC2 on MB
00129278	SSC1080F0B	Custom	IC19 on MB
00892556	TC170C140AF-003	Custom	IC6-9 on MB
# 01120523	HM514800CJ6Z	DRAM	IC12 on MB
# 01126612	TC514260DJS-60	DRAM	IC10 on MB
# 01127356	HM628128ALFP-7	SRAM	IC3,4 on MB

15289714	UPD63200GS-E2	DAC	IC20 on MB
15229718	6N137	Photo Coupler	IC2 on JK
15259720T0	TC74HC74AF		IC27 on MB
# 15259726T0	TC74HC107AF		IC15 on MB
# 15159803T0	TC74HC374AF		IC28 on MB
15259864T0	TC74HC4052AF		IC23 on MB
00670290	TC74VHC139F		IC17,26 on MB
00893978	TC74VHC393F		IC14 on MB
# 01121834	TC7W74FU		IC16 on MB
15249104	TC7S04F		IC18,29 on MB
# 15169334H0	HD74LS05P		IC1 on JK
# 15169550T0	TC74HC138AP		IC1 on PA/IC4 on PB
15169542	TC74HC273AP		IC5 on PA/IC5 on PB
15169596	TC74HC4051AP		IC2-4,8 on PA/IC2,3 on PB
15289106	M5238AFP	OpAmp	IC5 on MB
15289105	UPC4570G2	OpAmp	IC22 on MB
15189189	UPC4570HA	OpAmp	IC6,7 on PA/IC1,6 on PB/IC4 on JK
15189250	M5218AL	OpAmp	IC3 on JK
15289123	M51953AFP	RESET IC	IC25 on MB
△ 15199184	AN78M15F		IC202 on PS
△ 15199185	AN79M15F		IC203 on PS
△ 15199230	PQ05RF21		IC201 on PS
15289402	TA78L05F		IC21 on MB

TRANSISTOR/トランジスター

00679045	2SA1298-Y		Q12 on MB
# 01121278	2SA1576A		Q1,3,6,9 on MB
15119144	2SA1048-GR		Q2,8 on JK
00562012	2SC3265-Y		Q11 on MB
# 01121289	2SC4081		Q4,5,8,10 on MB
15129151	2SC1815-GR		Q5-9 on PA/Q5-12 on PB/Q101 on PC
15129152	2SC2878-A		Q1,4,6,7 on JK
# 00239801	DTA114EU		Q7 on MB
00239812	DTC114EU		Q2 on MB
15129184	RN1207		Q3 on JK
15119170	RN2226		Q1-4 on PA/Q1-4 on PB/Q102-105 on PC

DIODE/ダイオード

# 01121323	DA204U		DA1-7 on MB
# 01121334	DAN202U		DA8
15019126	1SS133		on Panel Boards and JK
01016790	MTZJ12B	Zener	D203 on PS
△ 15039176	D3SBA20	Bridge	D501 on BB
△ 15019245	1B4B41	Bridge	D201 on PS

LED/発光ダイオード

00782478	LNJ801LPDJA	Red	
00899023	LNJ282RKRXE	Red, long lead	
15029342	GL3ED8	Red/Green	

RESISTOR/抵抗

13749139T0	SR50N102J		R201 on PS
------------	-----------	--	------------

RESISTOR ARRAY/抵抗アレイ

00126112	EXBV8V101JV		RA1-6,13,14,22-28 on MB
00909801	EXBV8V220JV		RA15-19,29-32 on MB
15399965	RCE9A103JAG7A		RA8,9,20,21 on MB
13919140	RGLD8X103J		RA1 on PB

POTENTIOMETER/ボリューム

# 01127623	EVU J96 F20 B24	Rotary	
# 01129878	EVU J97 F20 B24	Rotary, click at center	
# 01127645	EVJ Y00 F20 A53	Rotary, Main volume	
# 01127634	EWA NQ9 X10 B24	Slide	

CAPACITOR/コンデンサー

13529132	RPE132-901F104Z50	Multi Layered Ceramic	on JK
# 00342167	AMCS0050J471	Film	C20,21,26,27 on JK
# 00342201	AMCS0050J681	Film	C30,31 on JK
# 00342389	AMCS0050J223	Film	C24,25 on JK
13669408	16MV10000HC		C203 on PS
# 01128323	35MV470HC		C208,210 on PS
△ 13529104	DE7150F472M		C301,302 on IB

NOTE : Substitute parts for the 01128323 must meet the following dimensions.

注 意 : 01128323を、異なる部品で代用する場合は、必ず以下の寸法を満たしてください。

Diameter : 10mm or less 直径 : 10mm以下
 Height : 16mm or less 高さ : 16mm以下

INDUCTOR, COIL, FILTER/インダクター、コイル、フィルター

12499323	ESD-R-25SD	Ferrite Core	
00564734	SSC-33.5-12-M	Ferrite Core	
# 00568434	TR-20-10-10-M	Ferrite Core	
# 00903167	N2012Z601T02	Ferrite Bead	on MB
12449355	FBR07HA850TB00	Ferrite Bead	on Panel and JK
00891689	SBT-0260TF	Coil	L3-7 on JK
△ 00349045	SU10VD-10010	Filter	L301 on IB

CRYSTAL/水晶発振器

# 01129889	SG-531PCV	67.7376MHz	IC13 on MB
00894034	MA-406	16.000MHz	X1 on MB

CONNECTOR/コネクタ

13379151	IL-FPC-14ST-N	FFC Connector	CN4,10 on MB
13379152	IL-FPC-16ST-N	FFC Connector	CN9 on MB
# 01127401	IL-FPC-24ST-N	FFC Connector	CN5 on MB
# 01127290	IL-FPC-24SL-N	FFC Connector	CN1 on PA
# 13379156	IL-FPC-26ST-N	FFC Connector	CN6 on MB
# 01120578	IL-FPC-26SL-N	FFC Connector	CN1 on PB
13369963	IL-404-08S-LW	from RIBBON	CN103 on PC

13369926	53253-0410	from BENDER	CN2 on MB
13369601	52147-0610		CN1 on MB
13369604	52147-0910		CN3 on MB
13369607	52147-1210		CN7 on MB
# 13369855	52151-0610		CN2 on JK
# 13369858	52151-0910		CN101 on PC
# 13369861	52151-1210		CN102 on PC
13429295	51048-0600		CN4 on PB/CN202 on PS
13429298	51048-0900		CN2 on PB/CN203 on PS
13429301	51048-1200		CN3 on PB/CN1 on JK/ CN201,204 on PS/ CN401 on JB/CN501 on BB

WIRING,CABLE/ワイヤリング、ケーブル

# 00125045	JD-990 WIRE 3	on IB, JK
23505278	JV-30 WIRING HARNESS J-1	
# 01121801	WIRING W-1	
23475439	FUJI CARD 14X190-A6.0BBR-P1.25-HBL10	MB-LCD (FFC)
# 01121745	FUJI CARD 26X350-A6.0BBR-P1.25-HBL10	MB-PB (FFC)
# 01121756	FUJI CARD 24X300-A6.0BBR-P1.25-HBL10	MB-PA (FFC)
# 01121767	FUJI CARD 14X160-A6.0BB-P1.25-HBL10	MB-Key (FFC)
# 01121778	FUJI CARD 16X160-A6.0BB-P1.25-HBL10	MB-Key (FFC)
00456267	JV-1080 WIRING W-11	IB-Transformer
23505777	JV-1000 WIRING W8-1	MB-JK
00676512	RIBBON CABLE 12x350-P2.0	PB-PC
# 01125601	RIBBON CABLE 6x250-P2.0	PB-JK
# 00890245	RIBBON CABLE 9x300-P2.0	PB-PC
# 00890734	RIBBON CABLE 12x100-P2.0	PS-JP
00782512	RIBBON CABLE 12x120-P2.0	PS-BB
# 00789967	RIBBON CABLE 6x500-P2.0	PS-MB
00890312	RIBBON CABLE 9x600-P2.0	PS-MB
# 01236890	JP-8000 WIRING JW-1	PS-MB

TRANSFORMER/トランス

△ 22455694U0	PWR TRANS 22455694U0 UNIVERSAL
--------------	--------------------------------

AC INLET/AC インレット

△ 00125023	PWI1818	JK301 on IB
------------	---------	-------------

BATTERY/電池

00238990	LITHIUM BATTERY CR2032 210MAH/3V	BT1 on MB
----------	----------------------------------	-----------

SCREW/ねじ

40230523	Binding Screw 4×12mm BZC
40013056	Double Sems 3×6mm ZC
40012956	Double Sems 3×8mm BZC
40012878	Double Sems 3×10mm ZC
40012889	Double Sems 3×12mm ZC
40011056	Binding Taptight B 3×6mm ZC
40011067	Binding Taptight B 3×8mm ZC
40011123	Binding Taptight B 4×8mm BZC

40011323	Binding Taptight P 3×10mm BZC
40011223	Binding Taptight P 2.6×6mm Ni
40010734	Binding Taptight A 3×12mm ZC
40015956	Binding Taptight S 3×12mm BZC
40011178	Pan Taptight P 3×6mm ZC
40011189	Pan Taptight P 3×8mm ZC
40011212	Pan Taptight P 3×16mm BZC
# 40237023	Tras Taptight B 4×20mm BZC
40011745	Nut with Spring Washer M4 ZC
40011889	Outer teeth Washer M4 ZC
40011756	Flange Nut M3 ZC

PACKING CASE/梱包ケース

# 01121456	PACKING CASE
# 01233112	ACCESSORY BOX
# 40236934	VINYL BAG LAMINATED 1*1070*450

MISCELLANEOUS/その他

00238956	BATTERY HOLDER CR2032BH	BT1 on MB
# 01121423	POT DUST COVER 2H L=30	
# 01121445	POT DUST COVER 4H L=30	
# 01231623	POT DUST COVER A (4H L=30)	
00782734	XP-50 IC FOLDER	
# 01121789	SENSOR HOLDER	for RIBBON Sensor
# 01121790	RIBBON SENSOR	
# 01127412	SHIELD SHEET	under the MB
# 01121467	SHIELD COVER	over the MB
# 01231589	SPACER VOLUME D6*16.8 T1	for Rotary VR
# 01231590	INSULATING SPACER	on LCD unit
# 01233745	DUST COVER PS INLET	
12199584	GROUNDING TERMINAL M1698	on JK
12199599	GROUNDING TERMINAL M1699	on MB
40013812	CAUTION SEAL IEC GROUND MARK #142	
40017367	Clip CS-6	
40017378	Clip CS-7	

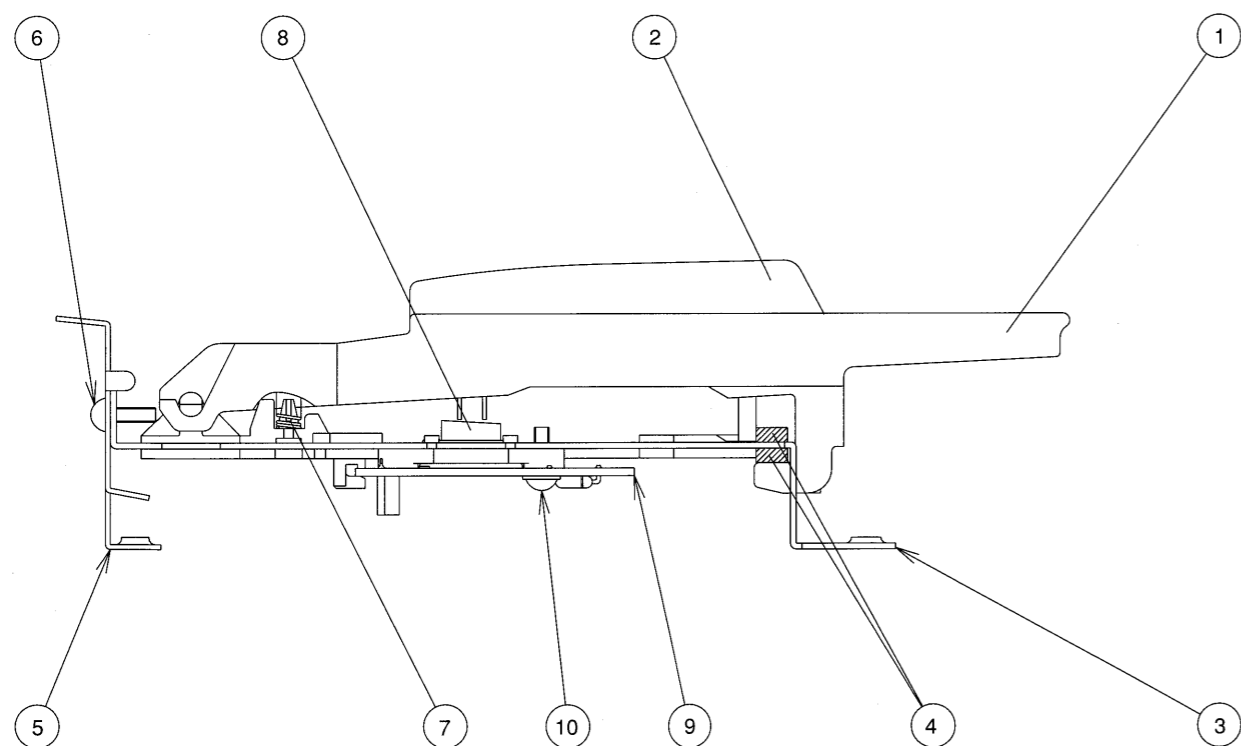
ACCESSORIES(Standard)/標準付属品

△ 00894367	SP18A+IS14 VCTF2X0.75	AC Cord Set (100V)
△ 00894378	SP301+IS14 SJT18/3	AC Cord Set (117V)
△ 00894389	SP22+IS14 H05VV-F3G1.0	AC Cord Set (230V D)
△ 00907001	KP-610,GTBS-3,KS-31A	AC Cord Set (230V E)
△ 23495124	SC-114-J01 ES303-10HMA	AC Cord Set (240V)
# 70789767	MANUAL SET JAPANESE	
# 70895689	MANUAL SET ENGLISH	

Keyboard Parts List / 鍵盤パーツリスト

SK-949-B PARTS LIST

No.	PARTS No.	PARTS NAME	Qty.	
1	00893723	SK-9 NATURAL KEY CF	8	
	00893734	SK-9 NATURAL KEY EB	8	
	00893756	SK-9 NATURAL KEY D	4	
	00893767	SK-9 NATURAL KEY G	4	
	00893745	SK-9 NATURAL KEY A	4	
	00893778	SK-9 NATURAL KEY C'F'	1	
2	00893790	SK-9 SHARP KEY	20	
3	*****	SK-9 CHASSIS 49P-B ASSY	1	
	3	*****	SK-9 CHASSIS 49P-B	1
	4	00894423	SK-9 CUSHION 49P	2
	5	00896989	XP-10 KEYBOARD HOLDER	3
	6	40011067	BINDING TAPTIGHT B 3×8MM ZC	6
	7	01233167	SK-9 SPRING	49
8	00893823	SK-9 RUBBER SWITCH 12P	3	
	00893834	SK-9 RUBBER SWITCH 13P	1	
9	70672856	SK-949 PWB LOW ASSY	1	
	70672867	SK-949 PWB HI ASSY	1	
10	40233545	VWH TAPTIGHT B 3×10MM ZC	11	



Keyboard Disassembly / 鍵盤組立手順

1) Turn the keyboard over as shown in fig. 1. Line up the RUBBER SWITCH 12P with the slots and place three of them on the chassis from the left side (low note).
Check that the rubber switch matches the air groove positions on the chassis (fig. 2). Next place RUBBER SWITCH 13P on the right side (high note) in the same way.

1) fig. 1のように、シャーシを裏返します。次にRUBBER SWITCH 12Pを長穴に合わせて左側（鍵の低音部）より順に3つシャーシに置きます。
このとき、RUBBER SWITCHとシャーシの空気溝の位置があっていることを確認して下さい(fig. 2)。そして、右側（高音部）にはRUBBER SWITCH 13Pを同様にして置きます。

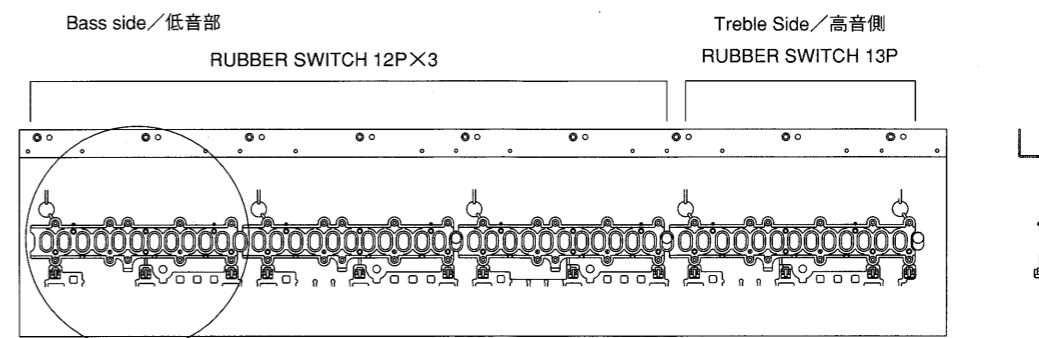


fig. 1

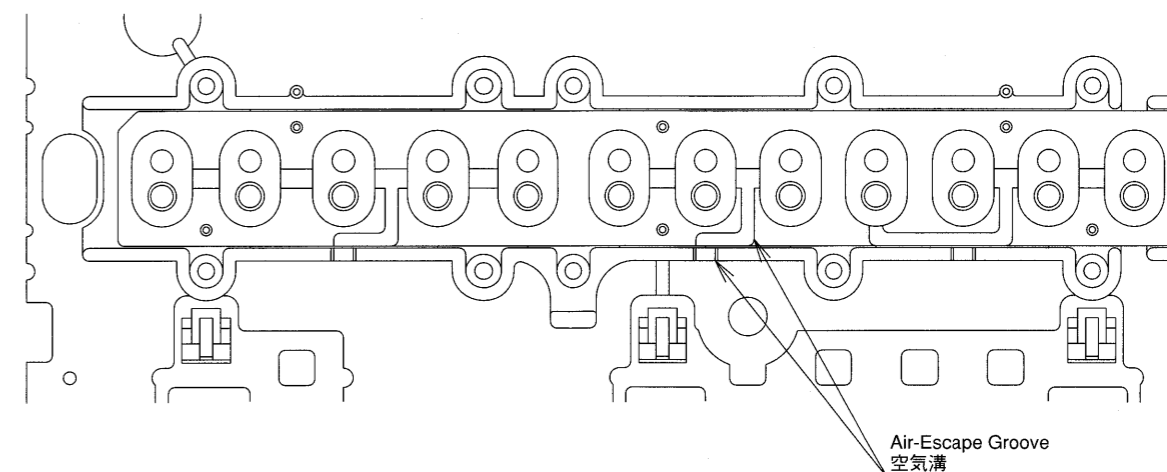


fig. 2

2) Align the notch of the LOW PCB with the protrusion from the chassis and then fit the PCB into the chassis hook until all the chassis reference positioning pins (located closest to the connector in fig. 4) fit into the PCB reference holes (fig. 3). There are two boards; LOW and HI as shown in fig.4. The chassis reference positioning pins are located close to both the LOW and HI PCB connectors. Engage all pins with the holes. Repeat the above steps for the HI PCB.

2) 次に、PWBの切り欠き部とシャーシの凸部を目印としてシャーシフック部にPWB端面を挟み込み、シャーシ位置決めピンにPWBの位置決め穴がはまるようにPWBを固定します (fig.3参照)。このとき、シャーシ位置決め基準ピンを最初に合わせるようにして下さい。PWBは、fig.4のようにLOW、HIの2枚で構成されており、シャーシ位置決め基準ピンはLOW、HIともにコネクタ付近に配置されています。

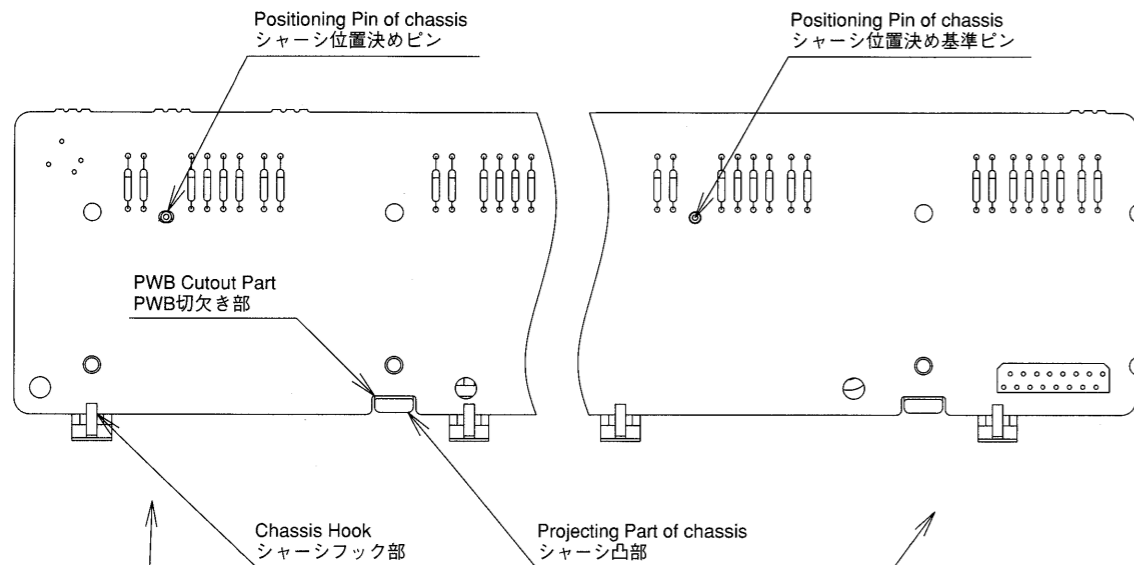


fig. 3

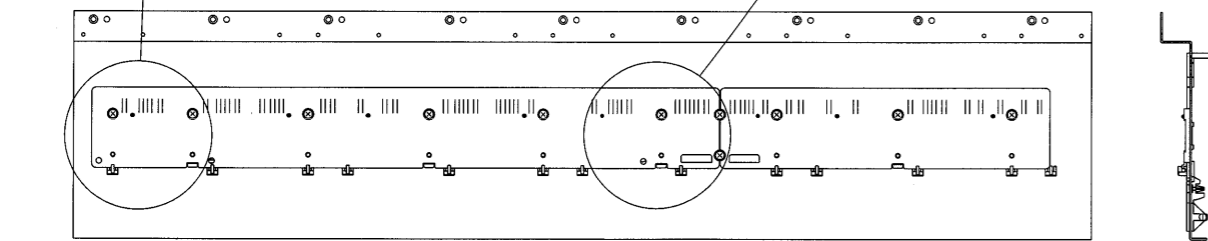


fig. 4

3) Secure the LOW and HI PCBs in place with the screws while holding the PCBs at the center. Starting with the center screw, install in the order of ① and then ② and ③ as shown in fig. 5. Screw in at the locations illustrated in the figure.

3) ビスは、PWB LOW、HIともに鍵盤中央部①より②、③の順に取り付けて下さい (fig.5参照)。基板がはんだ付けなどによってそりを生じていることがあるため、中央部を軽く押さえながらビス止めするとよいでしょう。最後にPWB隣接部をビス止めします。

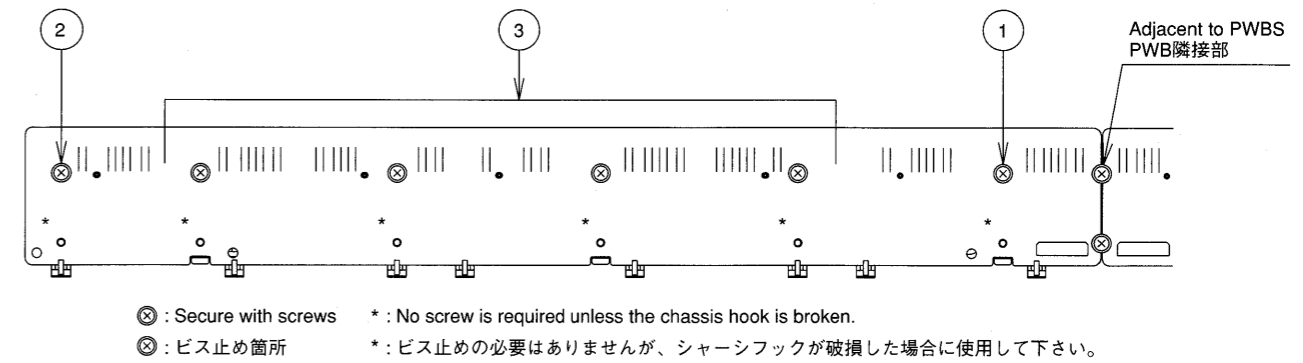


fig. 5

NOTE : When using a power screwdriver, set the tightening torque to 8kgf · cm (Bcm to firmly secure the PCB without damaging it. Overtightening will break foil conductors.

注意: 電気ドライバーを使用する際は、トルクに十分注意して下さい。(最適締め付けトルク: 8kgf · cm) PWBに過大な力が加わるとパターン断線の恐れがあります。

<Removing the key>

Holding the tip of the key, insert a pair of long nose pliers into the U groove (shaded in fig.6) and then push the key in the direction of arrow.

<鍵の取り外し方>

鍵の先端を押さえながら軸側のU字溝 (fig. 6斜線部) にラジオペンチを差し込み、矢印の方向へ押し込みます。

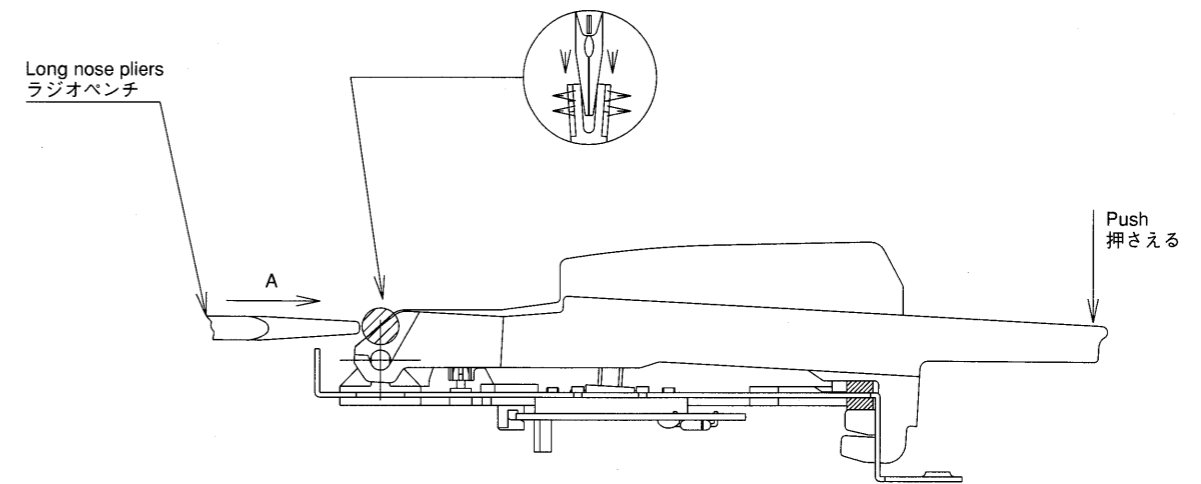


fig. 6

<Installing the key>

Fit the spring onto the chassis and position the key as shown in fig. 7. Then push the shaded section towards the arrow.

<鍵の取付方>

シャーシにスプリングをはめ込んだ後、鍵をfig. 7のように置き、点線部分を矢印の方向に押しします。

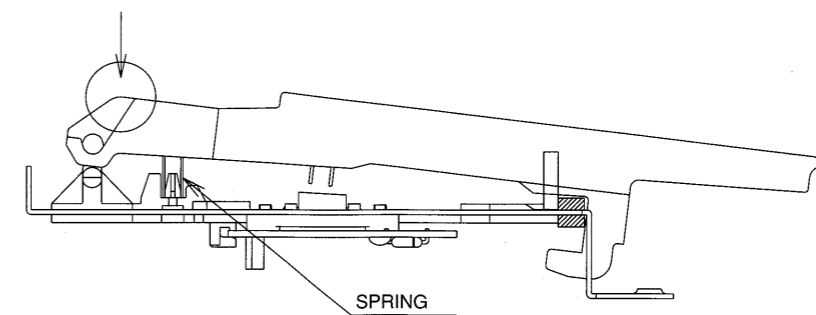


fig. 7

Saving&Loading USER DATA

NOTE : A sequencer (MC-50MkII or equiv.) and a floppy disk are required.

Saving User Data

- (1) Connect the sequencer MIDI-IN and the JP-8000 MIDI-OUT terminals with the MIDI cable.
- (2) Press [7] (INIT/BULK) while holding down the [SHIFT] key on the JP-8000. Select "Bulk DUMP" by using Button [7]. Then select "ALL" with the [UP]/[DOWN] keys.
- (3) Start recording with the sequencer. Press [WRITE] on the JP-8000.
- (4) Play mode is set when bulk dump is complete, so stop recording on the sequencer.
- (5) The songs are recorded as user data so save (backup) that data onto a floppy disk.

Loading User Data

- (1) Connect the sequencer MIDI-OUT and the JP-8000 MIDI-IN terminals with the MIDI cable.
- (2) Load the sequencer with the user data from the floppy disk. (This is the data backed up in the "Saving User Data" procedure.)
- (3) Play the song on the sequencer. The user data has been loaded into the JP-8000 when play of the song ends.

Identifying the Version Number

- (1) Turn on the power while holding down [LFO1 WAVEFORM] [1] and [3].
- (2) The version number appears on the display.
- (3) After checking the number, turn off the power.

JP-8000	????
Ver. 1.02	

Factory Preset

- (1) Turn the power on.
- (2) Press [7] (INIT/BULK) while holding down the [SHIFT] key. Select "Initialize" by using Button [7]. Next select "FACTORY PRESET" with the [UP]/[DOWN] keys.
- (3) Press [WRITE] to load the factory setting data.

ユーザーデータのセーブとロード

注意: シーケンサー(MC-50MkII等)と、フロッピーディスクが必要です。

ユーザーデータのセーブ

- (1) MIDIケーブルで、JP-8000のMIDI-OUTとシーケンサーのMIDI-INをつなぐ。
- (2) JP-8000で、[SHIFT]を押しながら[7] (INIT/BULK)を押す。[7]を数回押して「Bulk DUMP」を選択する。次に、[UP]/[DOWN]で、「ALL」を選ぶ。
- (3) シーケンサーで録音を開始する。JP-8000で、[WRITE]を押す。
- (4) バルクダンプが終了すると、プレイ画面に戻るので、シーケンサーの録音を終了する。
- (5) ユーザーデータはソングとして記録されるので、このデータをフロッピーディスクにセーブする。

ユーザーデータのロード

- (1) MIDIケーブルで、JP-8000のMIDI-INとシーケンサーのMIDI-OUTをつなぐ。
- (2) フロッピーディスクからユーザーデータをロードする。(「ユーザーデータのセーブ」でセーブされたもの)
- (3) シーケンサーでソングを再生する。再生が終わると、JP-8000にユーザーデータがロードされている。

バージョンナンバーの確認方法

- (1) [LFO1 WAVEFORM]、[1]、[3]を押しながら、電源を入れる。
- (2) LCDにバージョン番号が表示される。
- (3) 確認が終わったら、電源を切る。

ファクトリープリセット

- (1) 電源を入れる。
- (2) [SHIFT]を押しながら[7] (INIT/BULK)を押す。[7]を数回押して「Initialize」を選択する。続いて、[UP]/[DOWN]で「FACTORY PRESET」を選ぶ。
- (3) [WRITE]を押すと、工場出荷時のデータがロードされる。

TEST MODE

Tools required

- MIDI cable
- Hold pedal (e.g. DP-2)
- Expression pedal (e.g. EV-5)
- Oscilloscope

Entering test mode

- (1) Turn the power on while holding down [OSC2 SYNC] [-12dB/-24dB] and [FILTER TYPE].
- (2) Test mode is now set and the memory test starts.

Tests

The following nine tests are available and each test is detailed below.

The tests can be separately selected from the number keys.

Some test items will start automatically when the previous test item was a pass.

1	Memory test	メモリーテスト
2[1]	MIDI test	MIDIテスト
3[2]	SW&LED test	スイッチ&LEDテスト
4[3]	Adjusting Bender&MOD	ベンダー調整
5[4]	Adjusting Ribbon sensor	リボンセンサー調整
6[5]	A/D test	A/Dテスト
7[6]	Hold pedal test	ホールドペダルテスト
8[7]	LCD test	LCDテスト
9[8]	Sound test	サウンドテスト

Exiting a test

Press the number button to quit the current test and start another test.

For a SW&LED test press the number button while holding down the [WRITE] button.

Exiting the test mode

(When the test is SW&LED, exit it.)

Press [SHIFT/EXIT], then "Are you sure?" is displayed.

Press [WRITE] to exit the test mode, then factory data will be loaded.

テストモード

用意するもの

- MIDIケーブル
- ホールドペダル(DP-2等)
- エクスプレッションペダル(EV-5等)
- オシロスコープ

テストモードの入りかた

- (1) [OSC2 SYNC]、[-12dB/-24dB]、[FILTER TYPE]を押しながら電源を入れる。
- (2) テストモードに入り、メモリーテストが始まる。

テスト項目

テストには、以下の9項目があります。詳細は、各項目を参照して下さい。

数字ボタンを押すことで、任意のテスト項目を選ぶことができます。

いくつかの項目は、直前の項目が正常終了すると、自動的に始まります。

テスト項目の抜け方

数字ボタンを押すと、現在のテストを中断して、別のテストを始めます。

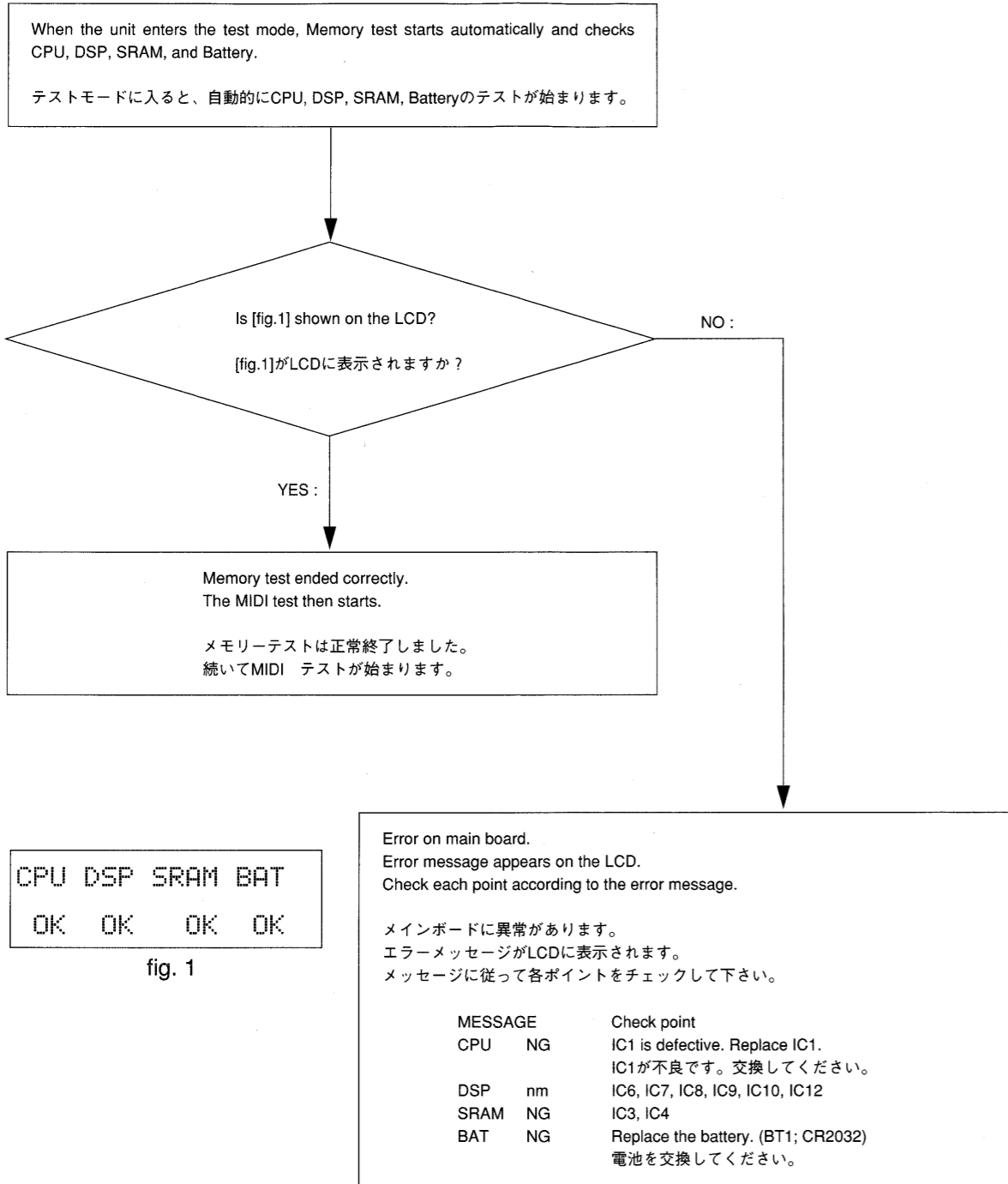
SW&LEDテストの場合は、[WRITE]ボタンを押しながら数字ボタンを押してください。

テストモードの抜け方

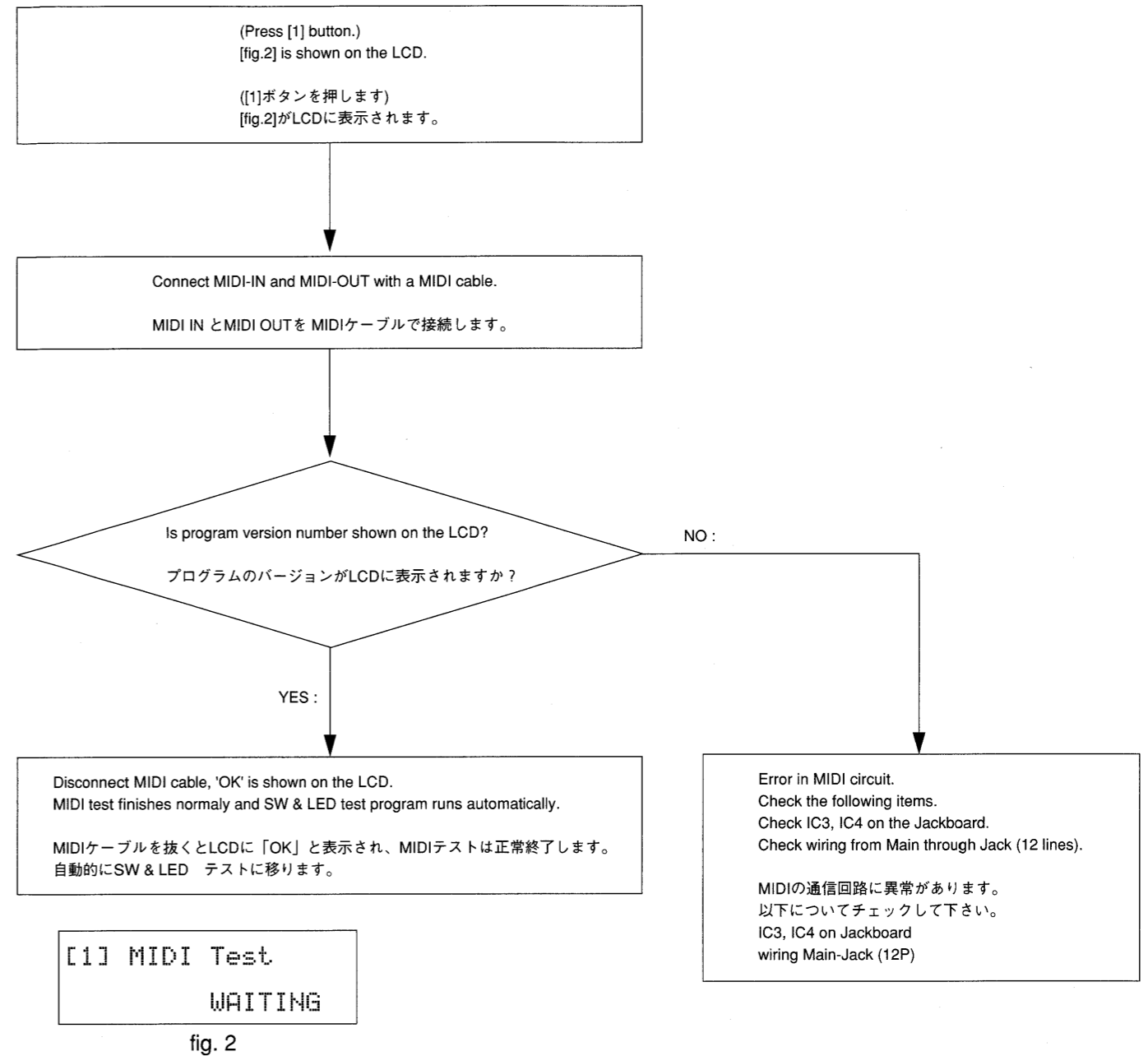
(SW&LEDテストをしている場合は、これを中断して下さい) [SHIFT/EXIT]を押すと、「Are you sure?」と表示されます。

[WRITE]を押すと、テストモードを抜けて、工場出荷時のデータがロードされます。

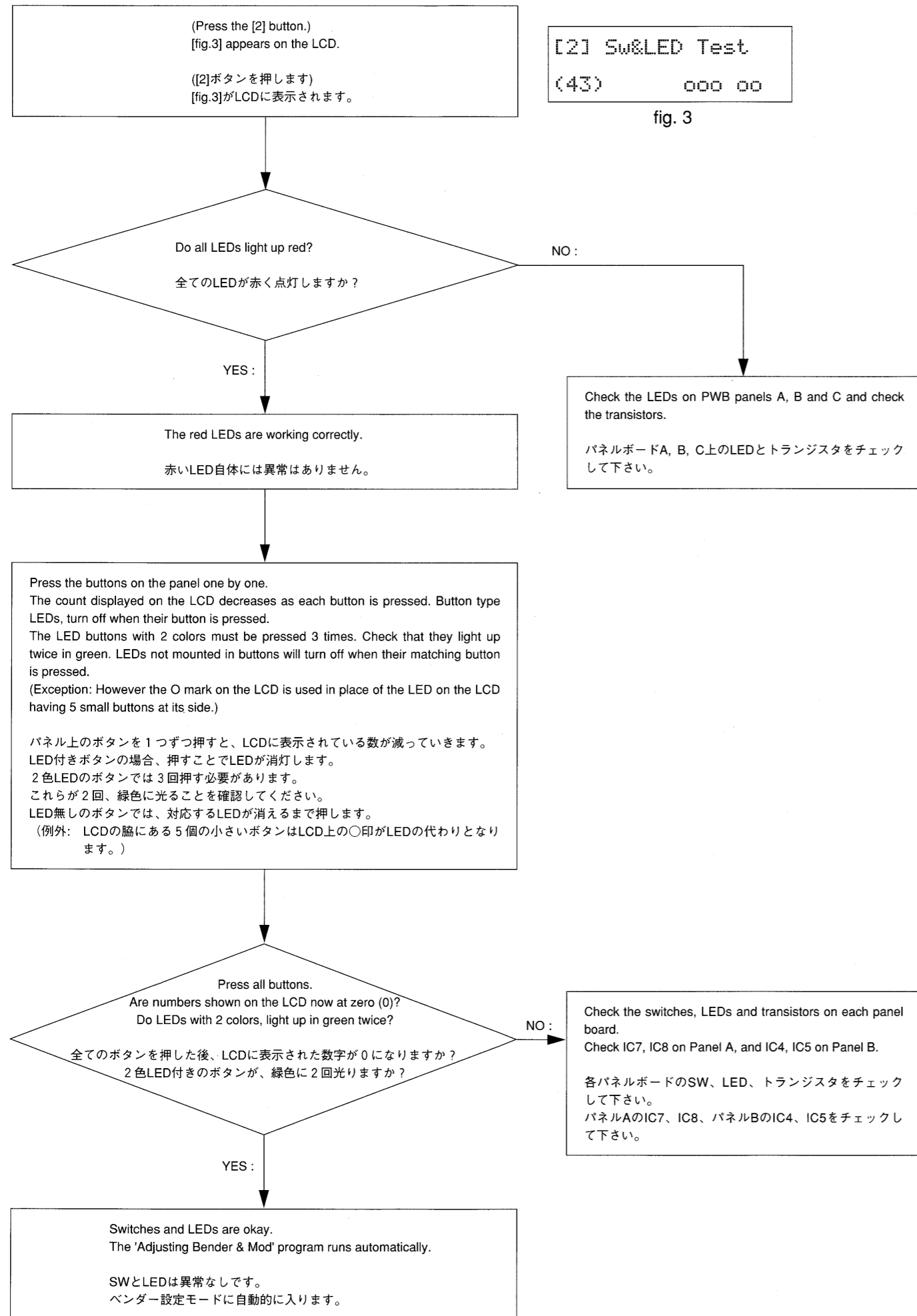
1 Memory Test / メモリーテスト



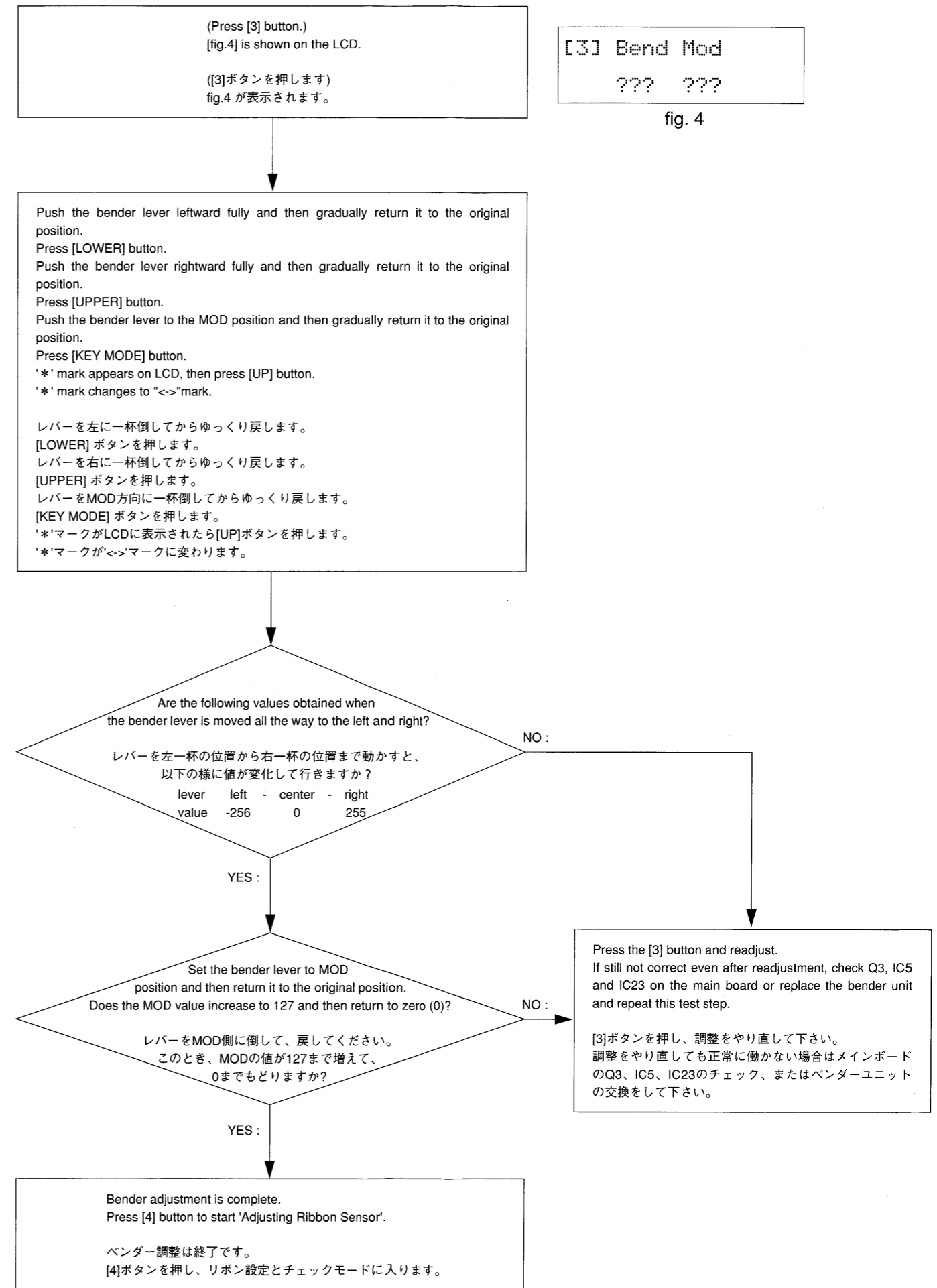
2 MIDI Test / MIDI テスト



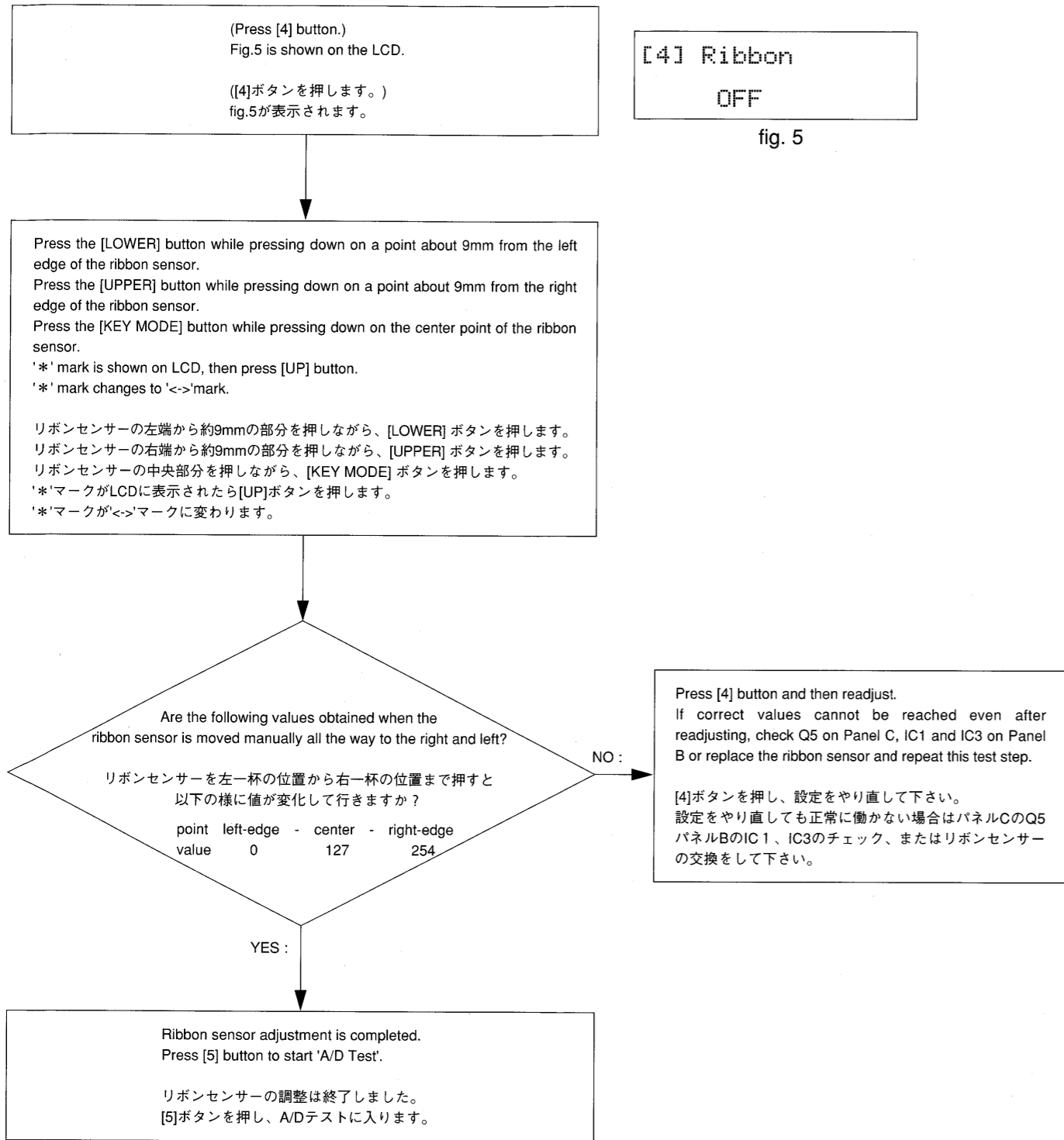
3 SW & LED Test / SW & LED テスト



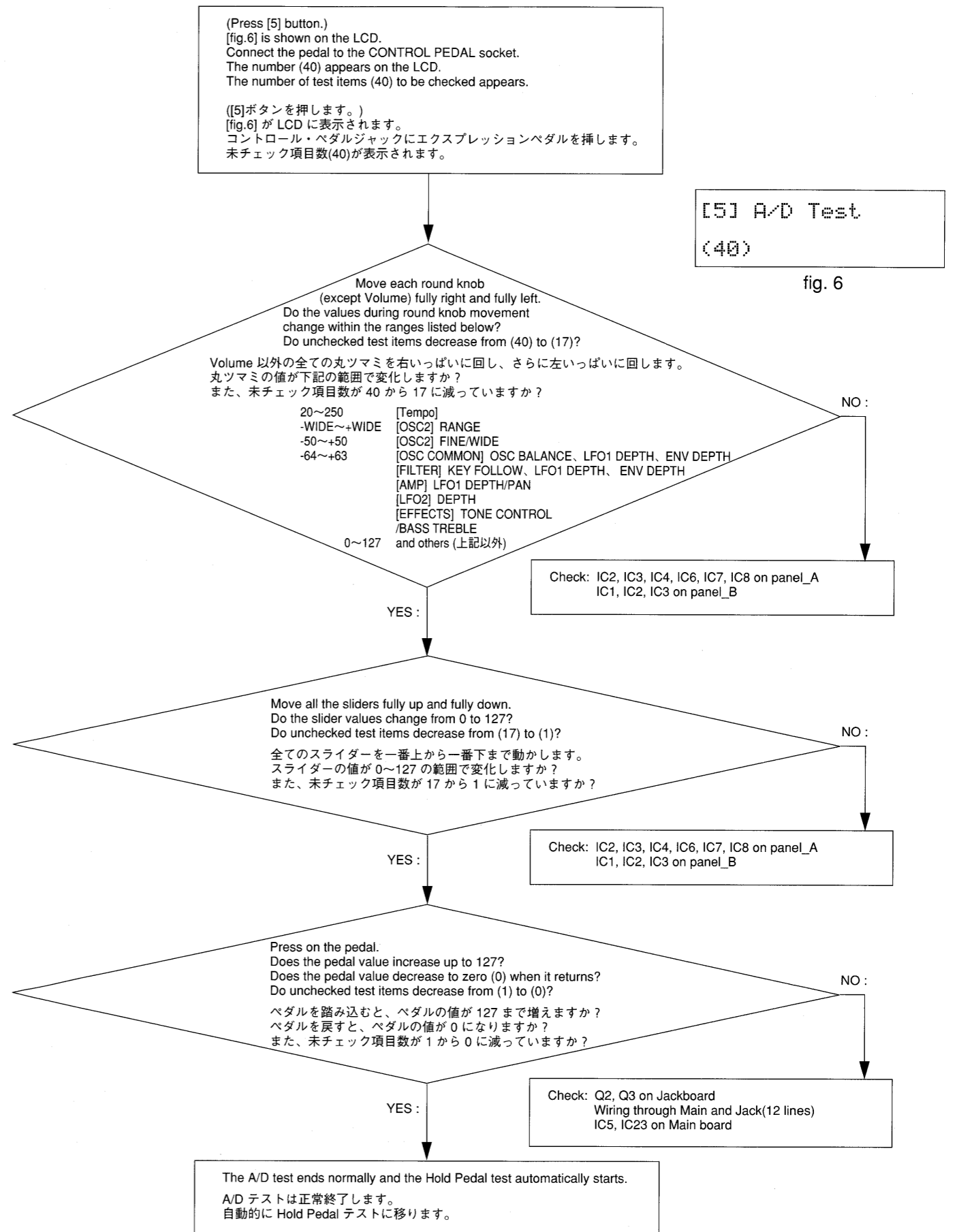
4 Bender Set & Check / ベンダー設定及び確認



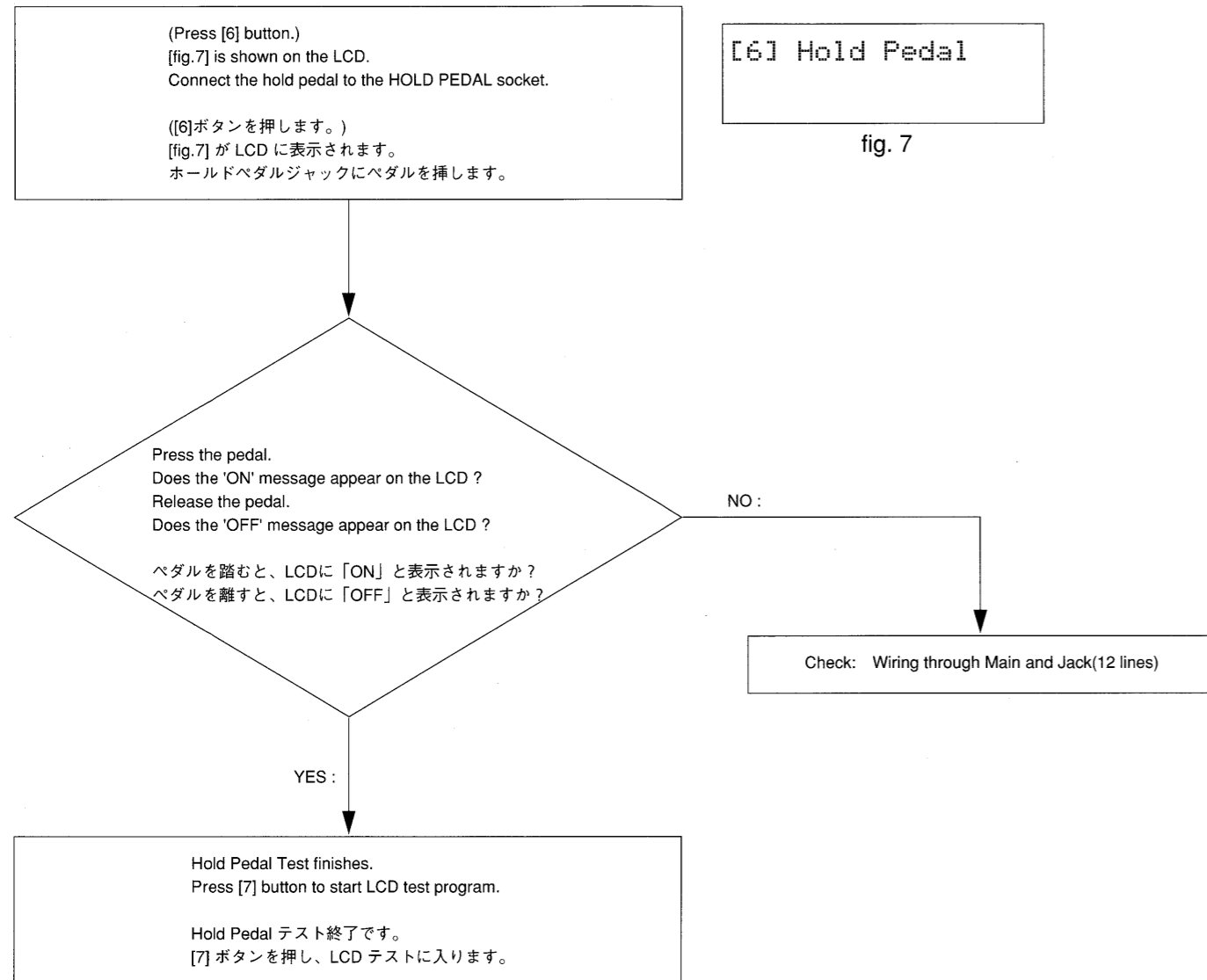
5 Ribbon Set & Check / リボン調整及び確認



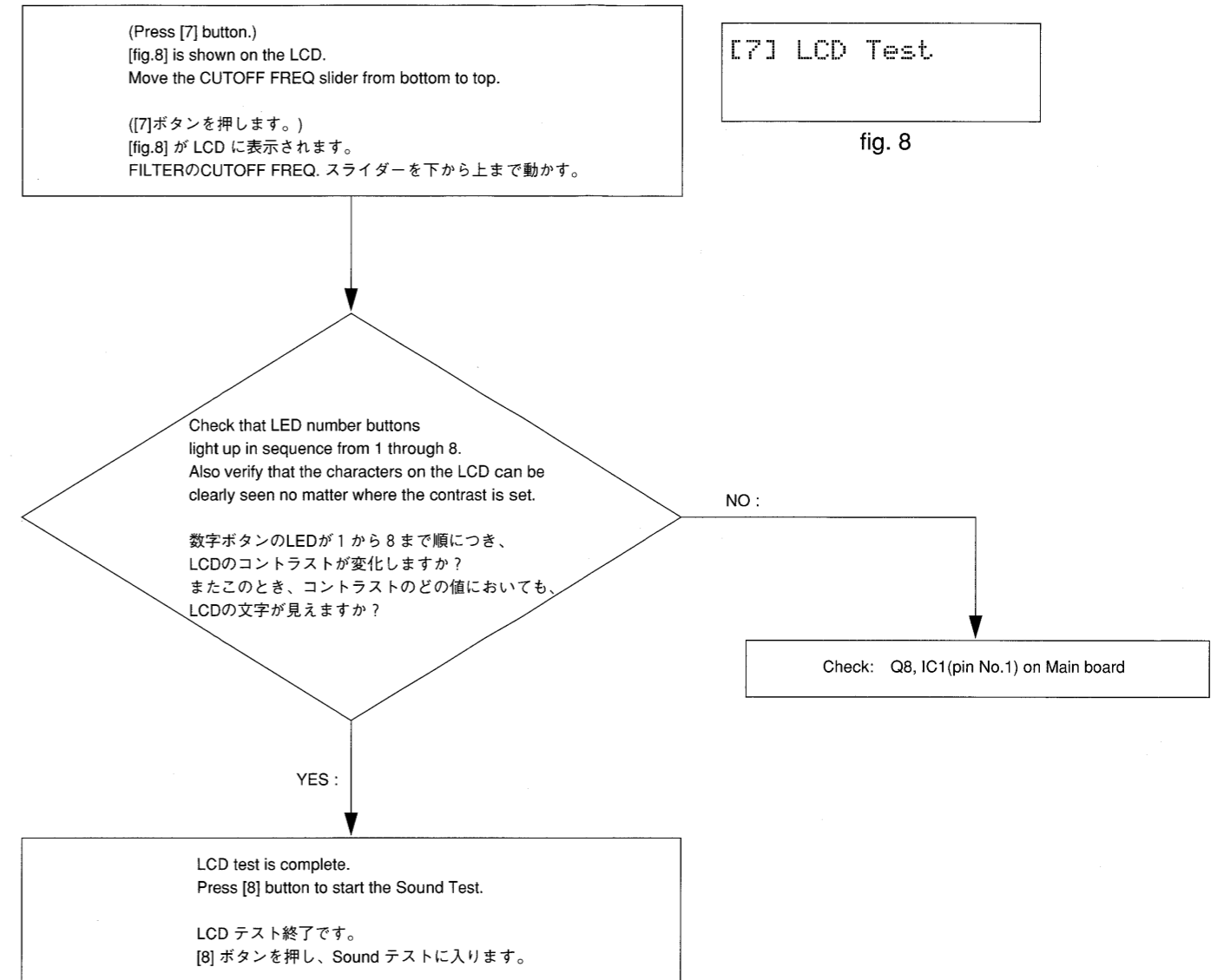
6 A/D Test / A/D テスト



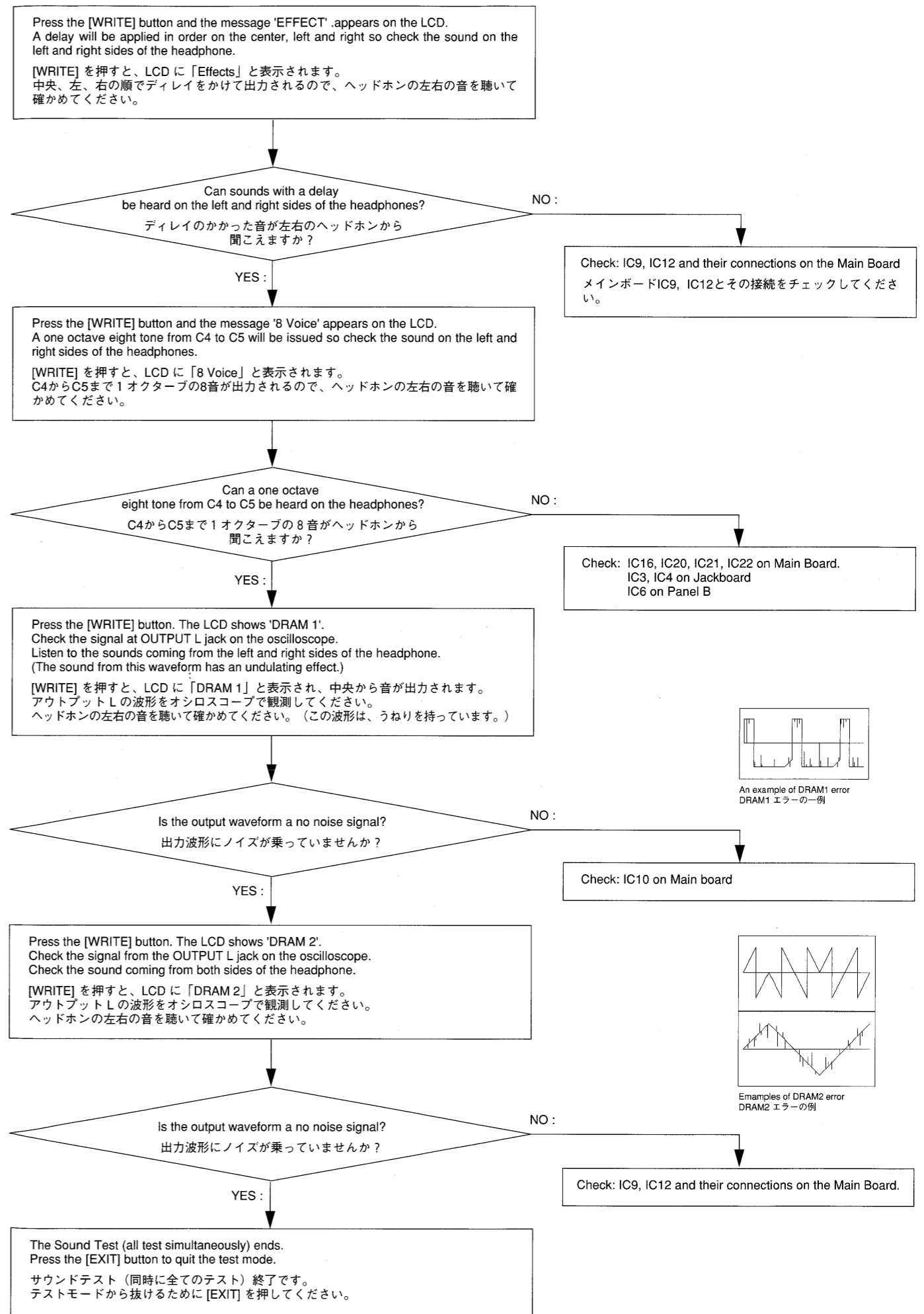
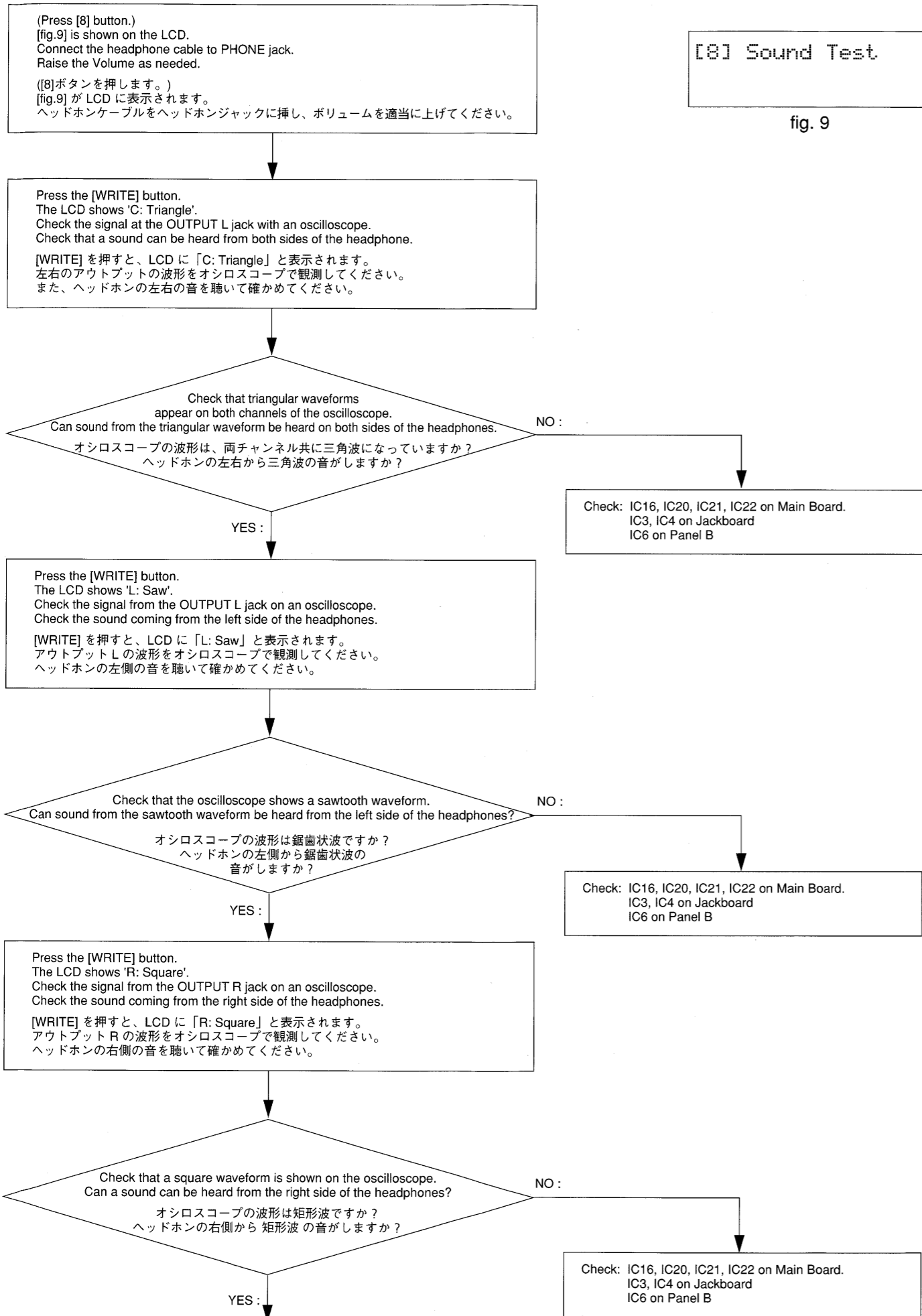
7 Hold Pedal Test / Hold Pedal テスト



8 LCD Test / LCD テスト



9 Sound Test / Sound テスト



Error Message in Memory Test メモリーテストのエラーメッセージ

Error in inter-DSP communication.

DSP間の通信に異常があります。

Msg.	Description
02	Communication Error IC6-IC7
04	Communication Error IC7-IC8
06	Communication Error IC6-IC7 and IC7-IC8
08	Communication Error IC8-IC9
0A	Communication Error IC6-IC7 and IC8-IC9
0C	Communication Error IC7-IC8 and IC8-IC9
0E	Communication Error IC6-IC7, IC7-IC8 and IC8-IC9

Defect in DSP. Replace it.

DSPに異常があります。交換して下さい。

Msg.	IC6	IC7	IC8	IC9
n1	x			
n2		x		
n3	x	x		
n4			x	
n5	x		x	
n6		x	x	
n7	x	x	x	
n8				x
n9	x			x
nA		x		x
nB	x	x		x
nC			x	x
nD	x		x	x
nE		x	x	x
nF	x	x	x	x

'X' means wrong DSP.
'n' is 1, 2 or 4.

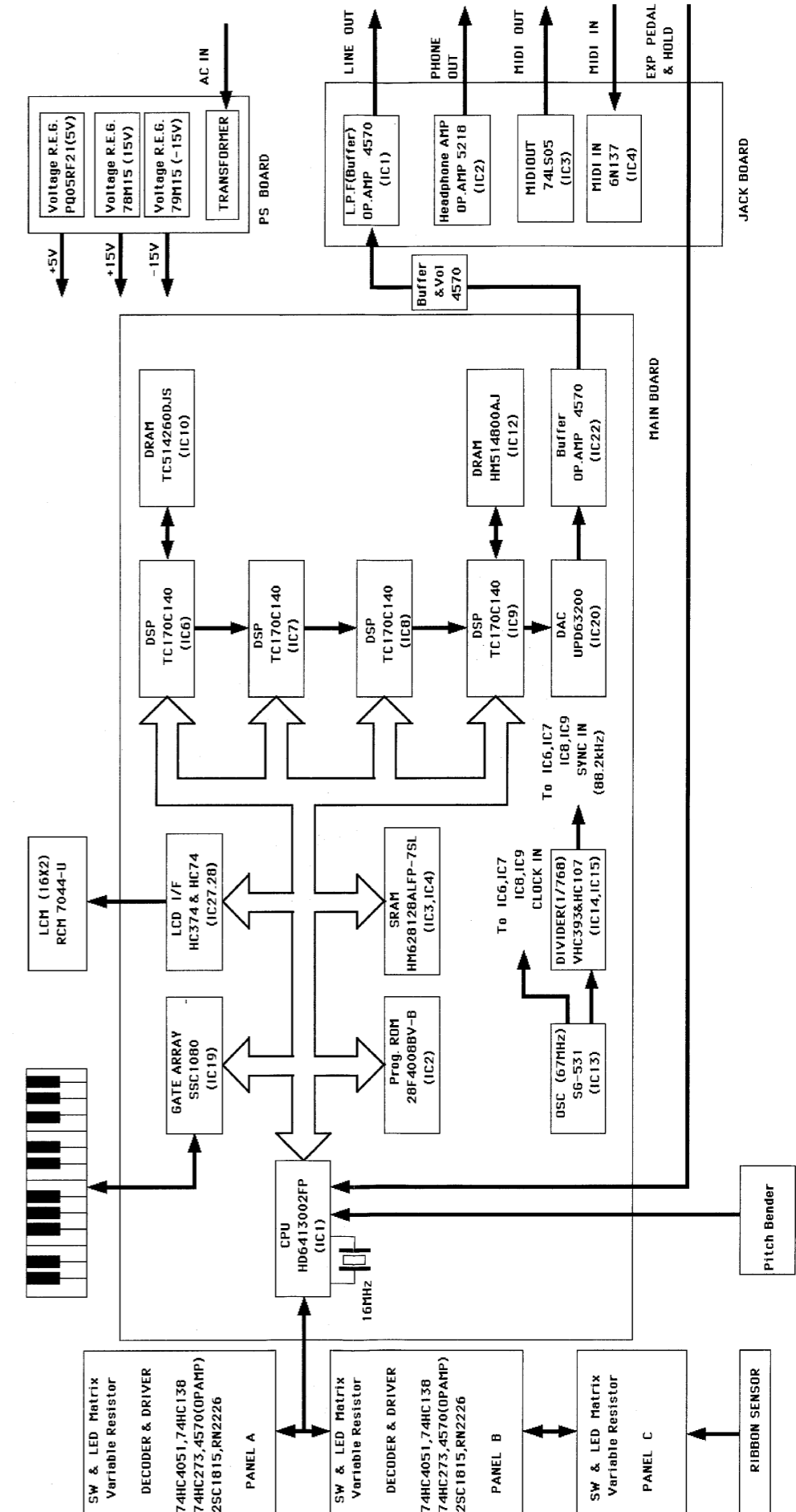
'X' マークに該当するDSPに異常があります。

Defect in DRAM. Check the DRAM and its bus.

DRAMが異常です。DRAMとそのバスを調べて下さい。

Msg.	Description
31	IC12 is defective.
38	IC10 is defective.
39	IC10 and IC12 are defective.

Block Diagram / ブロック図



How to Update the Software

The JP-8000 is equipped with a flash memory allowing updates of the program version from MIDI.

Update disk : 17048643 JP-8000 Ver. UP DISK

WARNING!! READ THIS BEFORE STARTING THE VERSION UPGRADE

- 1) The JP-8000 might not start up if mistakes are made in the version upgrade procedure or the power is cut during operation. Always comply with the procedure listed below and PLEASE! never turn off the power during operation.
- 2) The user data area is used as the job memory during the version upgrade. This means that user data will be deleted. Be sure to make a backup copy of the user data before attempting the version upgrade.
- 3) The bender and ribbon sensor settings will be lost during the version upgrade. Make the settings again in Test Mode, once the version upgrade is complete.

README

- 1) The software update disk (17048643 JP-8000 Ver.UP DISK) consists of a floppy disk(3.5inch) and a list of Check-sum. Obtain the latest version from the service center.
- 2) The program is converted and saved as Standard MIDI Files (SMF).
A sequencer that can play SMF data is required.(e.g. MC-50MkII, XP-50/80)
- 3) The file names are as follows.

vvv_1.MID	vvv_4.MID	vvv_7.MID
vvv_2.MID	vvv_5.MID	vvv_8.MID
vvv_3.MID	vvv_6.MID	

'vvv' indicates the version number.
For example '102' signifies Version 1.02.

Update procedure

- 1) Connect the sequencer MIDI-OUT and the JP-8000 MIDI-IN terminals with the MIDI cable.
- 2) Turn on the power while holding down the four [LFO1 WAVEFORM] [OSC1 WAVEFORM] [OSC2 SYNC] and [OSC2 WAVEFORM] buttons.
- 3) Press [REC] when the display in fig.1 appears. You can quit the version upgrade at this point, by pressing [EXIT]. Check that the display in fig. 2 appears.

```

Erase your data!
Sure? [REC/EXIT]
    
```

fig. 1

```

Ready to update
Play SMF [EXIT]
    
```

fig. 2

バージョンアップの方法

JP-8000はフラッシュメモリーを搭載したことで、MIDIによるプログラムのバージョンアップが可能です。

バージョンアップディスクは、17048643 JP-8000 Ver.UP DISK です。

警告!! 作業前に必ずお読み下さい。

- 1) バージョンアップの手順を間違えたり、途中で電源を切ったりすると、JP-8000が起動しなくなる場合があります。必ず後述の手順に従い、作業中は絶対に電源を切らないよう、お願いします。
- 2) バージョンアップでは、ユーザーデータエリアを作業メモリとして使用します。このため、ユーザーデータは消去されます。作業の前に、必ずユーザーデータのバックアップを行って下さい。
- 3) バージョンアップを行うと、ベンダーとリボンセンサーの設定が失われます。作業終了後に、テストモードで再設定してください。

お読み下さい

- 1) バージョンアップデータは、3.5インチフロッピーディスクと、チェックサムリストからなります。(17048643 JP-8000 Ver.UP DISK)
- 2) プログラムデータは、SMF形式となっていますので、これを演奏できるシーケンサーを用意して下さい。(MC-50MkII、XP-50/80など)
- 3) ファイル名は以下の通りです。

「vvv」は、バージョン番号を表します。
たとえば、「102」はバージョン1.02を意味します。

バージョンアップ手順

- 1) シーケンサーのMIDI-OUTと、JP-8000のMIDI-INをMIDIケーブルでつなぐ。
- 2) [LFO1 WAVEFORM]、[OSC1 WAVEFORM]、[OSC2 SYNC]、[OSC2 WAVEFORM]の4つのボタンを押しながら電源を入れる。
- 3) fig.1が表示されるので、[REC]を押す。ここで[EXIT]を押すと、バージョンアップをとりやめることができる。fig.2が表示されていることを確かめる。

- 4) Load the file into the sequencer. Load in sequence from vvv_1.MID.
- 5) Play the song. fig. 3 appears on the JP-8000 display.

```

Check Sum:****
>>x [REC/EXIT]
    
```

fig. 3

- 6) The check sum appears at the end of the song. Check that it matches the value on the list.

```

Check Sum:????
(^_^) [REC/EXIT]
    
```

fig. 4

If the value is different, press [EXIT] and repeat steps 5 and 6. (Inquire at your Roland Service center if the value is still wrong after repeating steps 5 and 6 several times.)

- 7) If the value is correct press the [REC] button. Be sure never to cut off the power until the display in fig. 6 has appeared.

```

Now updating
[Keep power on]
    
```

fig. 5

- 4) シーケンサーに、ファイルをロードする。vvv_1.MIDから順番に行く。
- 5) 演奏を開始する。JP-8000のディスプレイに、fig.3が表示される。

- 6) 演奏が終了すると、チェックサムが表示されるので、リストの値と一致することを確認する。

← Check this value

もし値が違っていたら、[EXIT]を押して、5)に戻る。
(何度やっても値が違うようであれば、ローランドサービスセンターにお問い合わせ下さい)

- 7) 値が正しければ、[REC]ボタンを押す。画面にfig.6が表示されるまで、絶対に電源を切らないこと。

```

Completed
[Play next SMF]
    
```

fig. 6

- 8) Load the files one at a time, in sequence from vvv_2.MID to vvv_8.MID and repeat steps 5 through 7 from the procedure.
- 9) Once all files have been loaded, the display in fig. 6 appears. Turn the power off and then on again to set Test Mode. While in Test Mode adjust the bender and ribbon sensor and make the factory presettings. Reload the user data from the backup copy.

- 8) vvv_2.MIDからvvv_8.MIDまで、順にひとつずつシーケンサーにロードして、5)~7)の手順を繰り返す。
- 9) すべてのファイル転送が終了した時、画面にはfig.6が表示されている。いったん電源を切り、テストモードに入る。テストモードで、ベンダーとリボンセンサーの調整と、ファクトリープリセットを行う。バックアップしておいたユーザーデータを再ロードする。

- Error 1) If an error message appears during play of SMF, turn off the power and redo from the beginning.

```

MIDI Error !
[Power off]
    
```

fig. 7

- Error1) もし、SMF再生中にエラーメッセージが表示されたら、電源を切って最初からやり直してください。

- Error 2) In step 7 of this procedure, if [Completed] does not appear within 32 seconds after pressing [REC] or if the message [Can't Update!] appears, then the version upgrade is a failure. When this occurs you must replace the main board.

- Error2) 7)において、[REC]を押してから32秒以上経っても「Completed」が出ない、または、「Can't update!」と表示された場合は、アップデートに失敗しています。このときはメインボードを交換しなければなりません。

Cautions and Check Points for Repairing

○ When replacing the SHIELD COVER(01121467)

When replacing the main board shield cover, secure the ferrite core in place with adhesive tape. This adhesive tape is necessary to prevent the ferrite core from vibrating.

○ Repairing the power supply unit

1) Fastening the wiring

Use caution when securing the wiring during repair of the power supply. The JUMPER BOARD wiring must not be allowed to touch any part of the transformer. The BRIDGE BOARD wiring must also be allowed no more than 3mm beyond the pattern of the INLET BOARD.

2) Replacing capacitors (35MV470HC (01128323))

When you must use another part as a substitute, make sure it is of the same or smaller dimensions as the dimensions listed below.

Dia. 10mm
Height 16mm

3) When replacing the PWR SUPPLY HOLDER (01121489)

Always order along with the 40126812 CAUTION LABEL BARRIER and the 01128312 INSULATING SHEET. (Refer to page with exploded parts view.)

Do not forget to stick them onto the PWR SPLY HOLDER.

○ GROUND LABEL (See EXPLODED VIEW)

In areas using 117 VAC, when replacing the top case, order along with 40013812 CAUTION SEAL IEC GROUND MARK #142 and place near the AC receptacle.

In areas using 230 VAC, when replacing the PWR SPLY HOLDER, order along with 40013812 CAUTION SEAL IEC GROUND MARK #142 and place inside of the holder.

○ Flash memory items

The JP-8000 is equipped with a flash memory allowing updates of the program version. Refer to the page "How to Update" for more details.

If the version upgrade fails and the program with the version upgrade will not start up, then it is necessary to replace the main board.

修理作業上の注意とポイント

○ SHIELD COVER(01121467)交換時

MAIN BOARDのシールドカバーを交換する場合、粘着テープでフェライトコアを固定しておしてください。この粘着テープは、フェライトコアの振動防止のために必要です。

○ 電源の修理

1) ワイヤリングの固定

電源を修理する時は、ワイヤリングの固定に注意してください。JUMPER BOARDのワイヤリングは、トランスのどの部分にも触れてはなりません。また、BRIDGE BOARDのワイヤリングは、INLET BOARDのパターンから3mm以上離さなければなりません。

2) コンデンサの交換

POWER SUPPLY BOARDの35MV470HC(01128323)を、別の部品と交換しなければならないときは、必ず次の寸法を満たしてください。

直径 10mm以下
高さ 16mm以下

3) PWR SPLY HOLDER (01121489) 交換時

必ずCAUTION LABEL BARRIER(40126812)、INSULATING SHEET (01128312)とあわせてご注文下さい。(分解図の頁をご覧ください。)

これらをPWR SPLY HOLDERに貼り付けることを忘れないでください。

○ フラッシュメモリー関連

JP-8000は、フラッシュメモリーを搭載しており、プログラムのバージョンアップが可能です。

バージョンアップに関しては、「バージョンアップの方法」の頁を参照して下さい。

バージョンアップに失敗し、バージョンアッププログラムさえ立ち上がらなくなった場合は、メインボードの交換が必要です。

○ Parts on main board

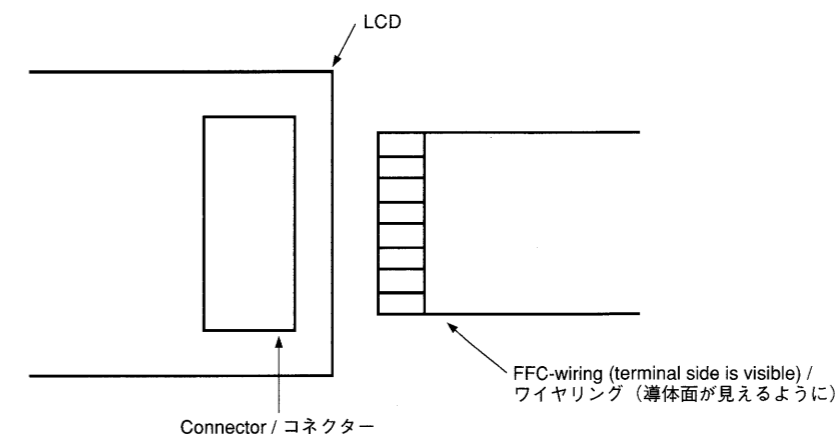
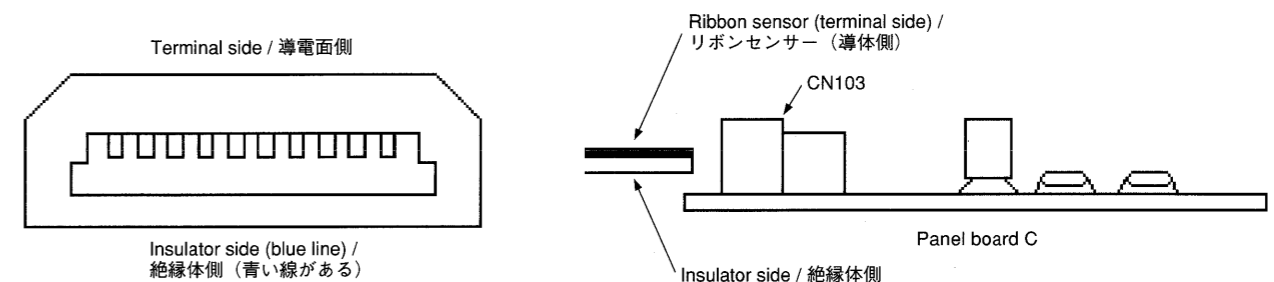
The resistors and capacitors used are extremely small components. Check that they are securely soldered to the board.

The resistor arrays have only narrow gaps between the terminals so electrical shorts are prone to occur. This is because shorts sometimes occur when too much solder is used during hand soldering, even though at first glance the connection appears okay.

○ Connecting wires

Be careful not to connect the FFC (Flexible Flat Cables) backwards. Face the conducting side towards the notch in the connector. When connecting the FFC to an LCD, place so that the FFC cable terminal can be seen from the component side of the LCD.

When connecting the ribbon sensor to Panel Board C, make the carbon terminal face the component side.



○ Adjusting the controller

Always adjust the Bender unit and ribbon sensor after making the repairs below.

See "Test Mode" for details.

- Replacing the Bender unit or the Ribbon sensor.
- Replacing the Main board.
- Replacing the Lithium battery cell.
- Updating.

○ メインボード上の部品

抵抗やコンデンサは非常に小さい部品を使っています。部品とボードがしっかりはんだ付けされていることを確認して下さい。

抵抗アレーは、端子間隔が狭く、隣接端子間のショートが容易に発生します。はんだごてで修正する時にははんだの量が多いと、一見正常にはんだ付けされたようでも、ショートしていることがありますので注意してください。

○ ワイヤリングの接続

カード状のフラットケーブルは、逆に接続しないよう注意してください。コネクタに切り欠きのあるほうに導電面を向けます。

LCDにフラットケーブルを接続する場合は、LCDの部品面からケーブルの導電面が見えるようにします。

リボンセンサーをパネルCに接続する際は、カーボン導電面を基板の部品面に向けて接続してください。

○ コントローラーの調整

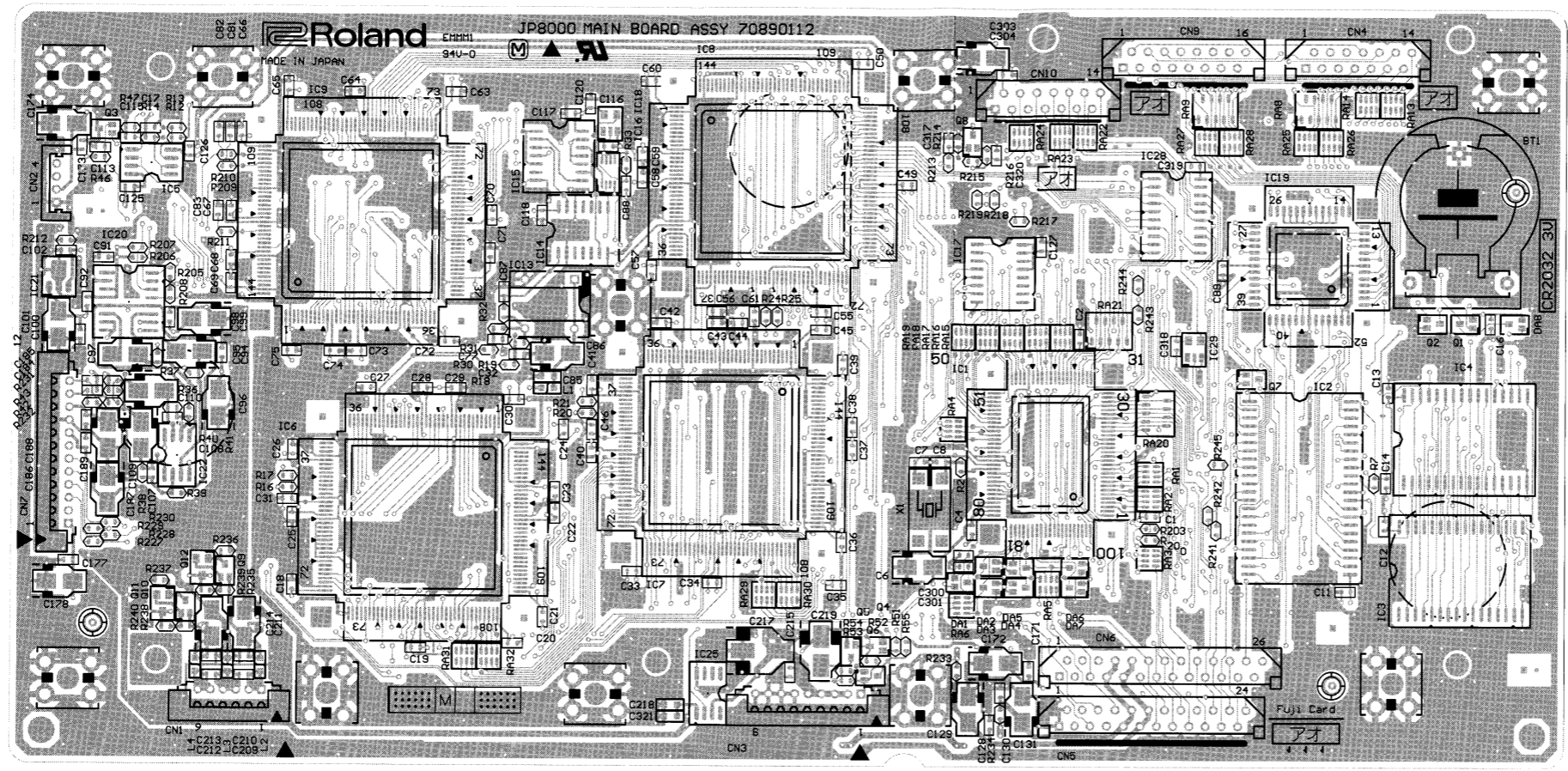
以下の修理を行った場合、ベンダーユニットとリボンセンサーの調整を必ず行ってください。詳しくは、「テストモード」の頁をご覧ください。

- ベンダーユニットやリボンセンサーを交換した
- メインボードを交換した
- リチウム電池を交換した
- バージョンアップを行った

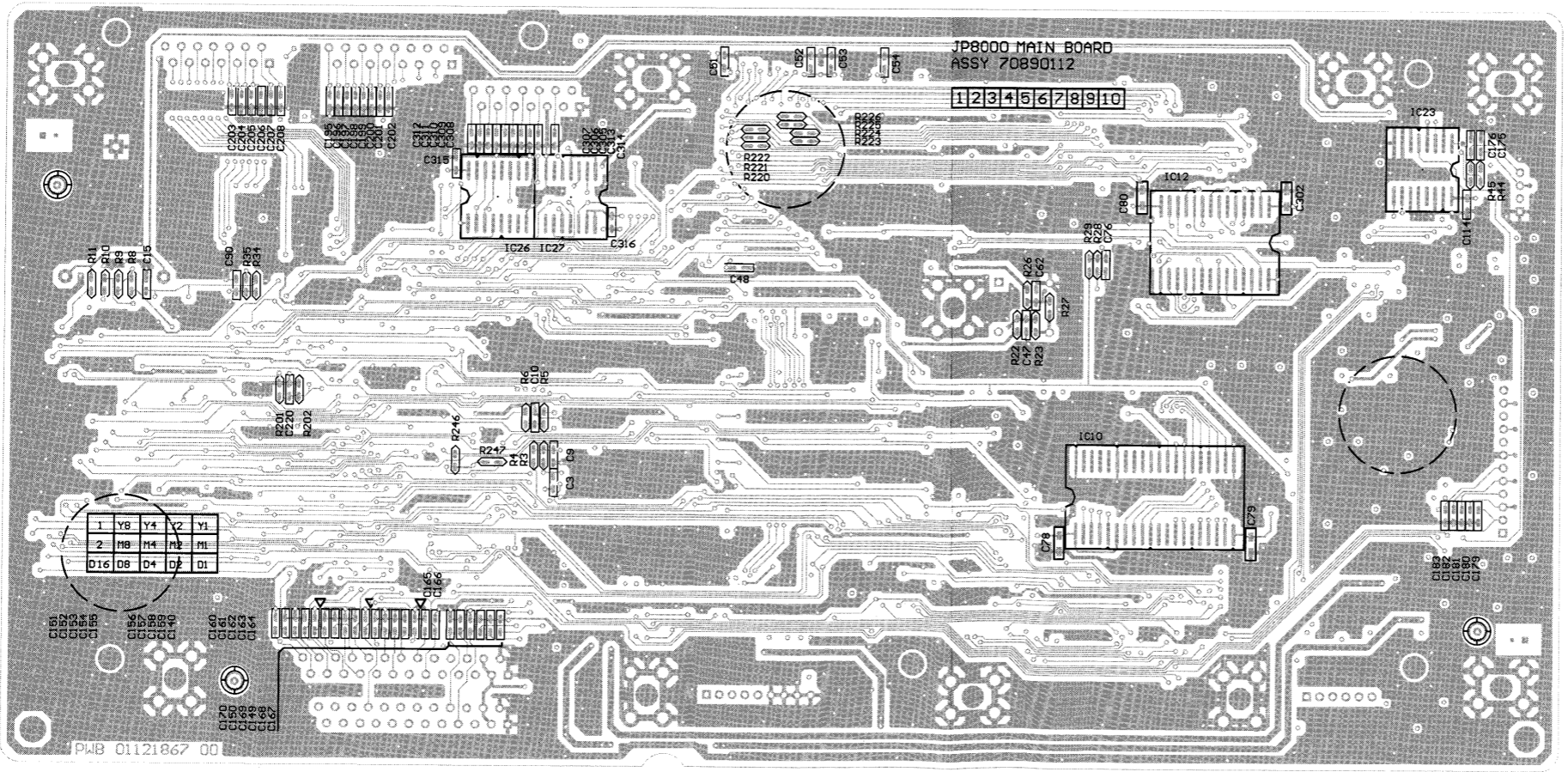
1 2 3 4 5 6 7 8 9 10 11 12 13 14 15 16 17 18 19 20 21 22 23 24 25 26 27 28 29 30 31 32 33 34 35 36 37 38 39 40

A Circuit Board / 基板図 (Main)

B
C
D
E
F
G
H
I
J
K
L
M
N
O
P
Q
R
S
T
U
V



View from component side.



View from foil side.

For Nordic Countries

Apparatus containing Lithium batteries

ADVARSEL!

Lithiumbatteri - Eksplosionsfare ved fejlagtig håndtering. Udskitfning må kun ske med batteri af samme fabrikat og type. Levér det brugte batteri tilbage til leverandøren.

ADVARSEL!

Lithiumbatteri - Eksplosjonsfare. Ved utskifting benyttes kun batteri som anbefalt av apparatfabrikanten. Brukt batteri returneres apparatleverandøren.

CAUTION

Danger of explosion if battery is incorrectly replaced. Replace only with the same or equivalent type recommended by manufacturer. Discard used batteries according to the manufacturer's instructions.

WARNING!

Explosionsfare ved felaktigt batteribyte. Använd samma batterityp eller en ekvivalent typ som rekommenderas av apparatillverkaren. Kassera använt batteri enligt fabrikantens instruktion.

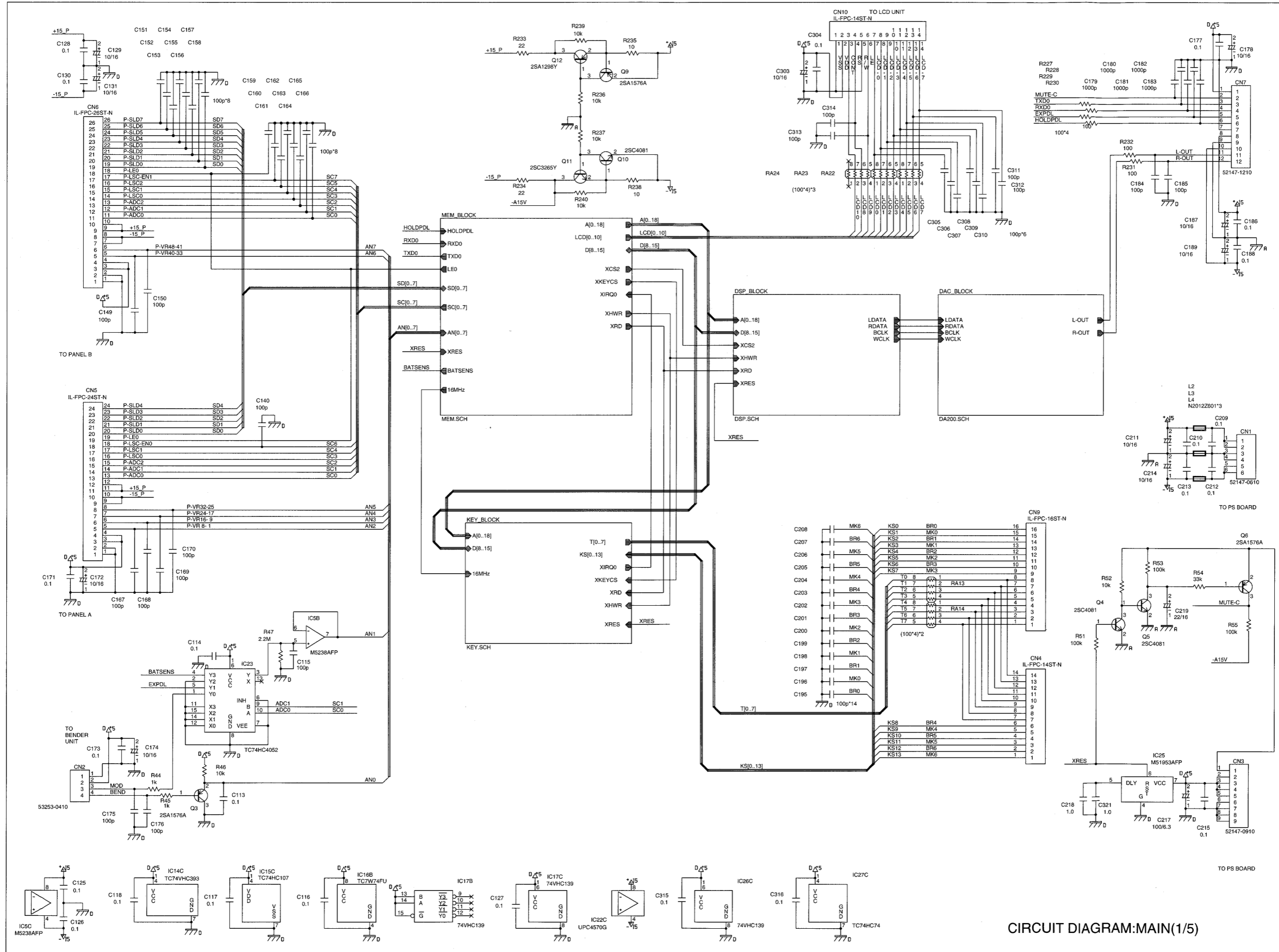
VAROITUS!

Paristo voi räjähtää, jos se on virheellisesti asennettu. Vaihda paristo ainoastaan laitevalmistajan suosittelemaan tyyppiin. Hävitä käytetty paristo valmistajan ohjeiden mukaisesti.

1 2 3 4 5 6 7 8 9 10 11 12 13 14 15 16 17 18 19 20 21 22 23 24 25 26 27 28 29 30 31 32 33 34 35 36 37 38 39 40

A
B
C
D
E
F
G
H
I
J
K
L
M
N
O
P
Q
R
S
T
U
V

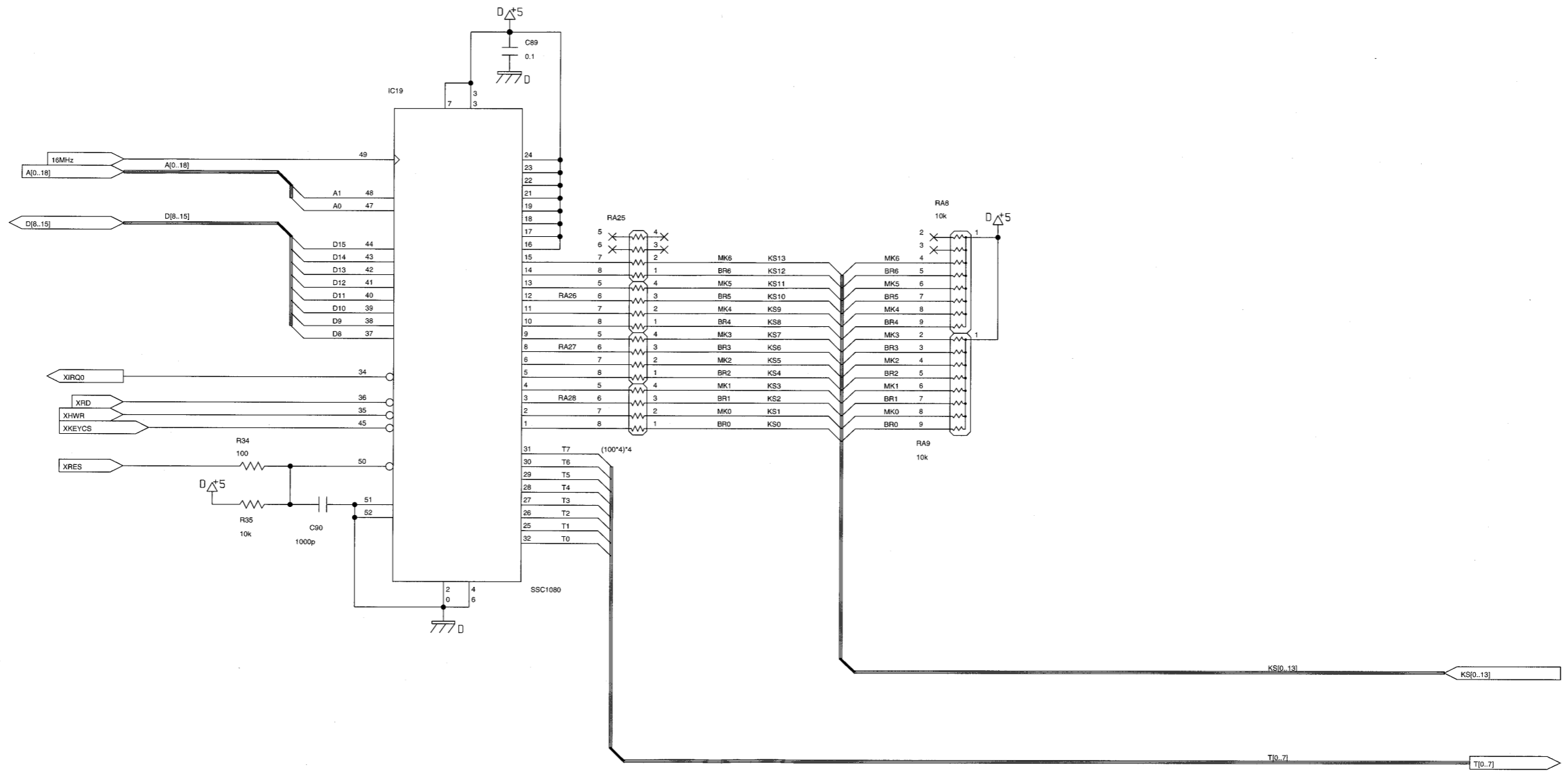
Circuit Diagram / 回路図 (Main) (1/5)



1 2 3 4 5 6 7 8 9 10 11 12 13 14 15 16 17 18 19 20 21 22 23 24 25 26 27 28 29 30 31 32 33 34 35 36 37 38 39 40

A Circuit Diagram / 回路図 (Main) (2/5)

B
C
D
E
F
G
H
I
J
K
L
M
N
O
P
Q
R
S
T
U
V

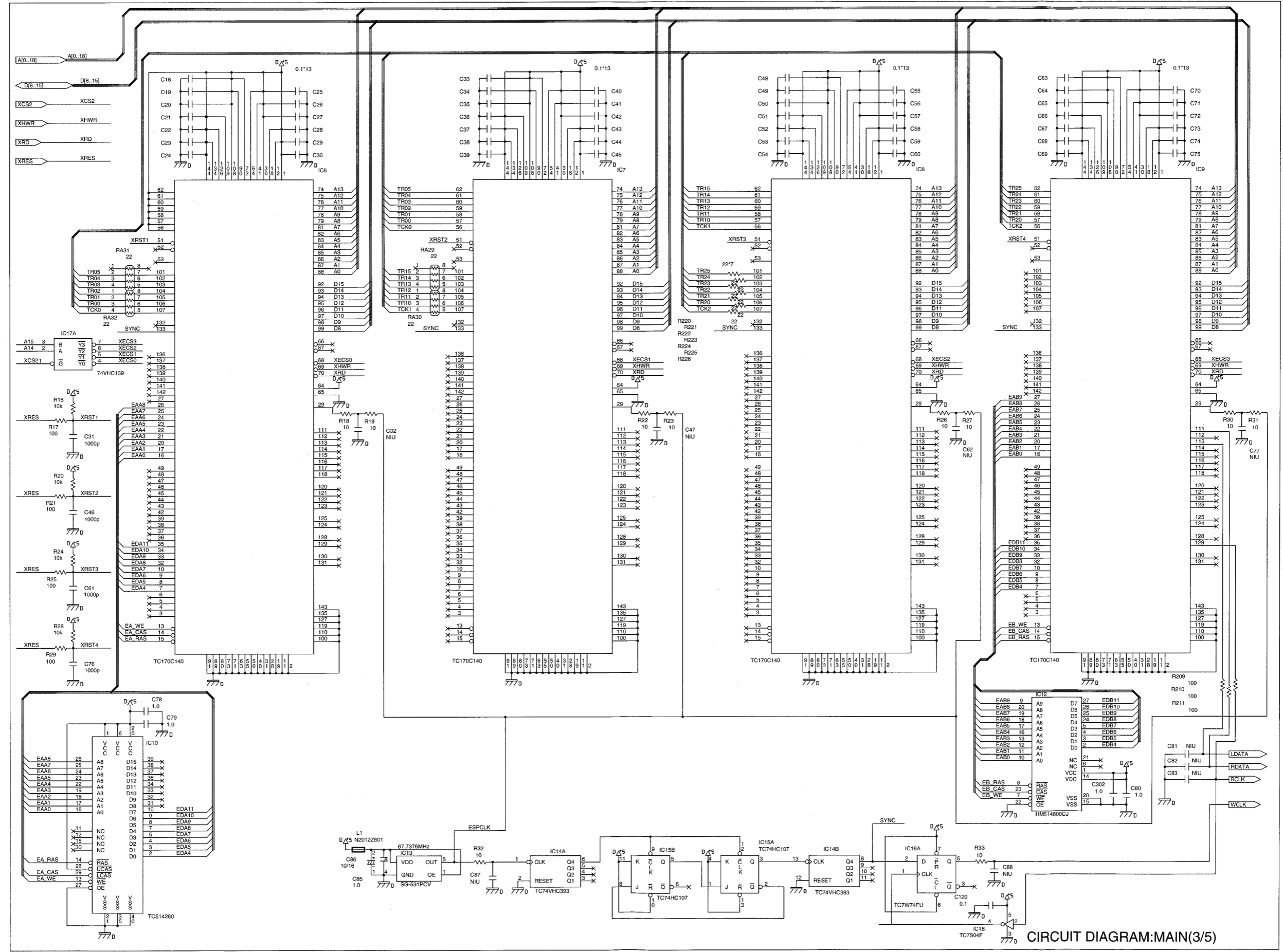


CIRCUIT DIAGRAM:MAIN(2/5)

1 2 3 4 5 6 7 8 9 10 11 12 13 14 15 16 17 18 19 20 21 22 23 24 25 26 27 28 29 30 31 32 33 34 35 36 37 38 39 40

A
B
C
D
E
F
G
H
I
J
K
L
M
N
O
P
Q
R
S
T
U
V

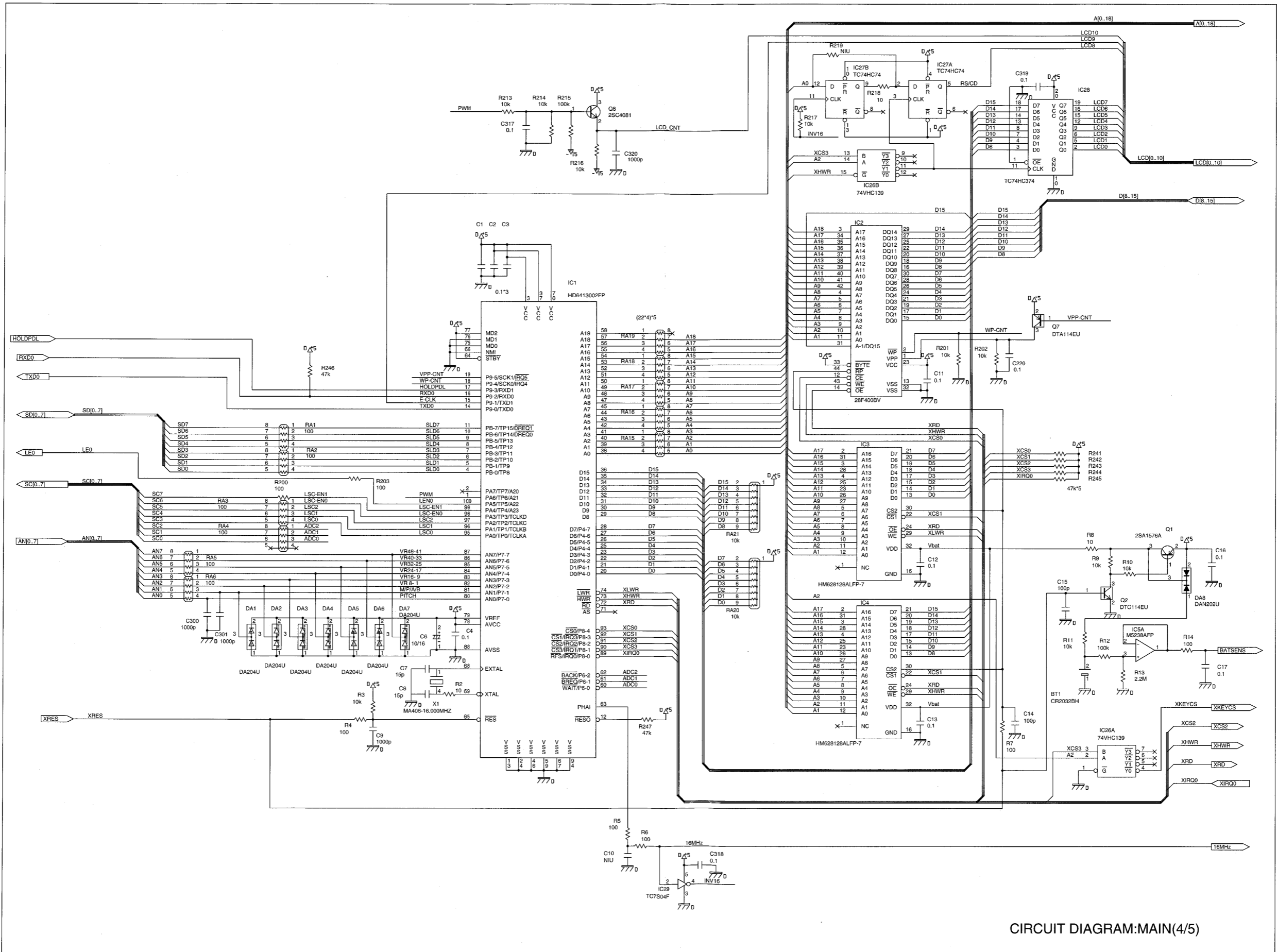
Circuit Diagram / 回路図 (Main) (3/5)



1 2 3 4 5 6 7 8 9 10 11 12 13 14 15 16 17 18 19 20 21 22 23 24 25 26 27 28 29 30 31 32 33 34 35 36 37 38 39 40

A Circuit Diagram / 回路図 (Main) (4/5)

B
C
D
E
F
G
H
I
J
K
L
M
N
O
P
Q
R
S
T
U
V

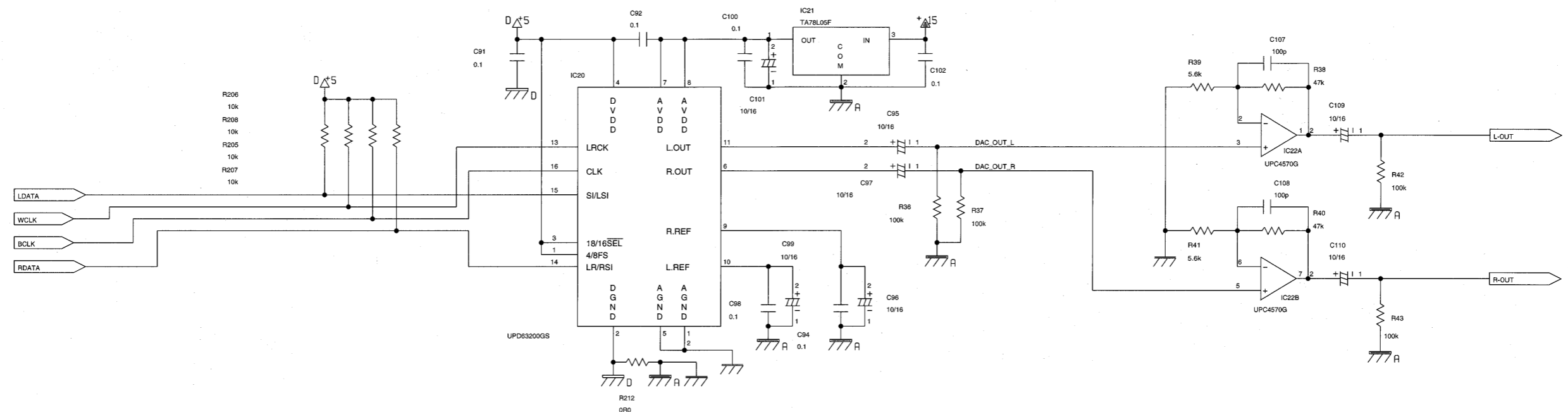


CIRCUIT DIAGRAM:MAIN(4/5)

1 2 3 4 5 6 7 8 9 10 11 12 13 14 15 16 17 18 19 20 21 22 23 24 25 26 27 28 29 30 31 32 33 34 35 36 37 38 39 40

A Circuit Diagram / 回路図 (Main) (5/5)

B
C
D
E
F
G
H
I
J
K
L
M
N
O
P
Q
R
S
T
U
V

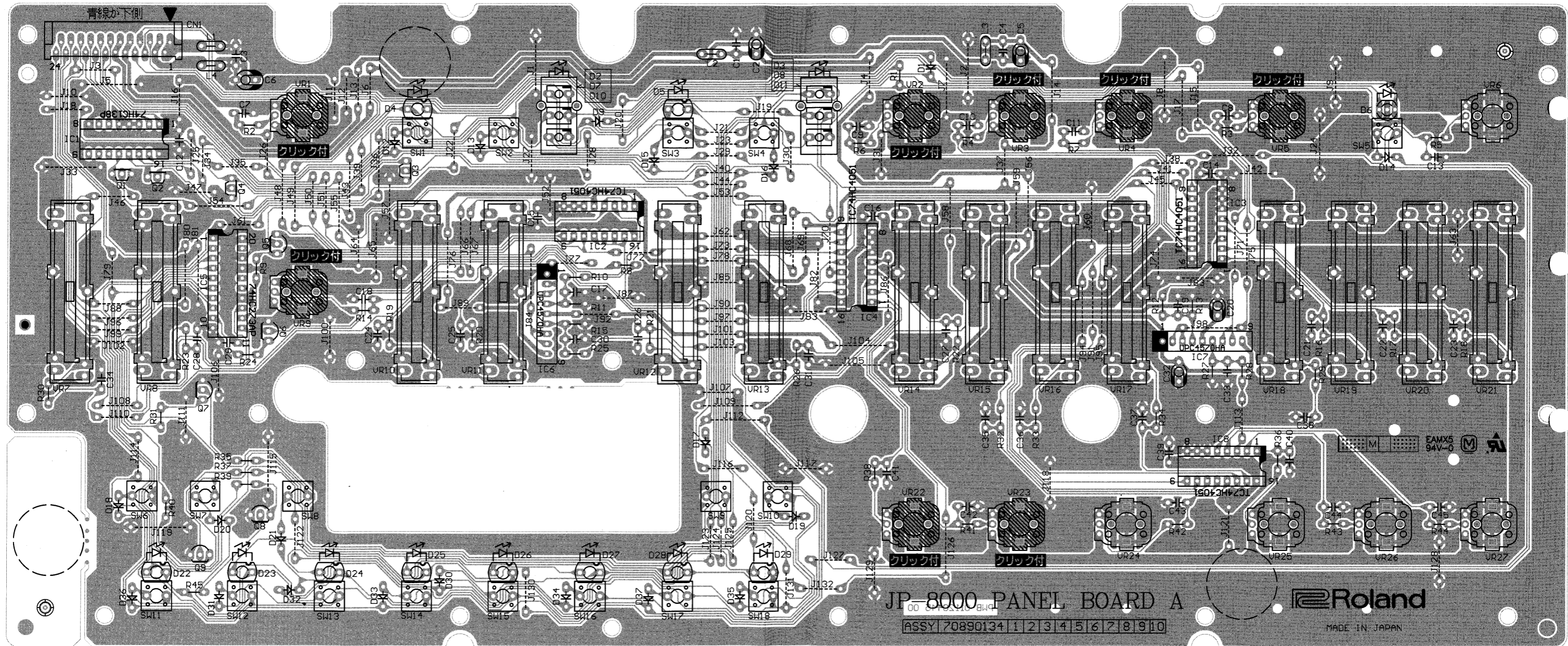


CIRCUIT DIAGRAM:MAIN(5/5)

1 2 3 4 5 6 7 8 9 10 11 12 13 14 15 16 17 18 19 20 21 22 23 24 25 26 27 28 29 30 31 32 33 34 35 36 37 38 39 40

A Circuit Board / 基板図 (Panel A)

B
C
D
E
F
G
H
I
J
K
L
M
N
O
P
Q
R
S
T
U
V

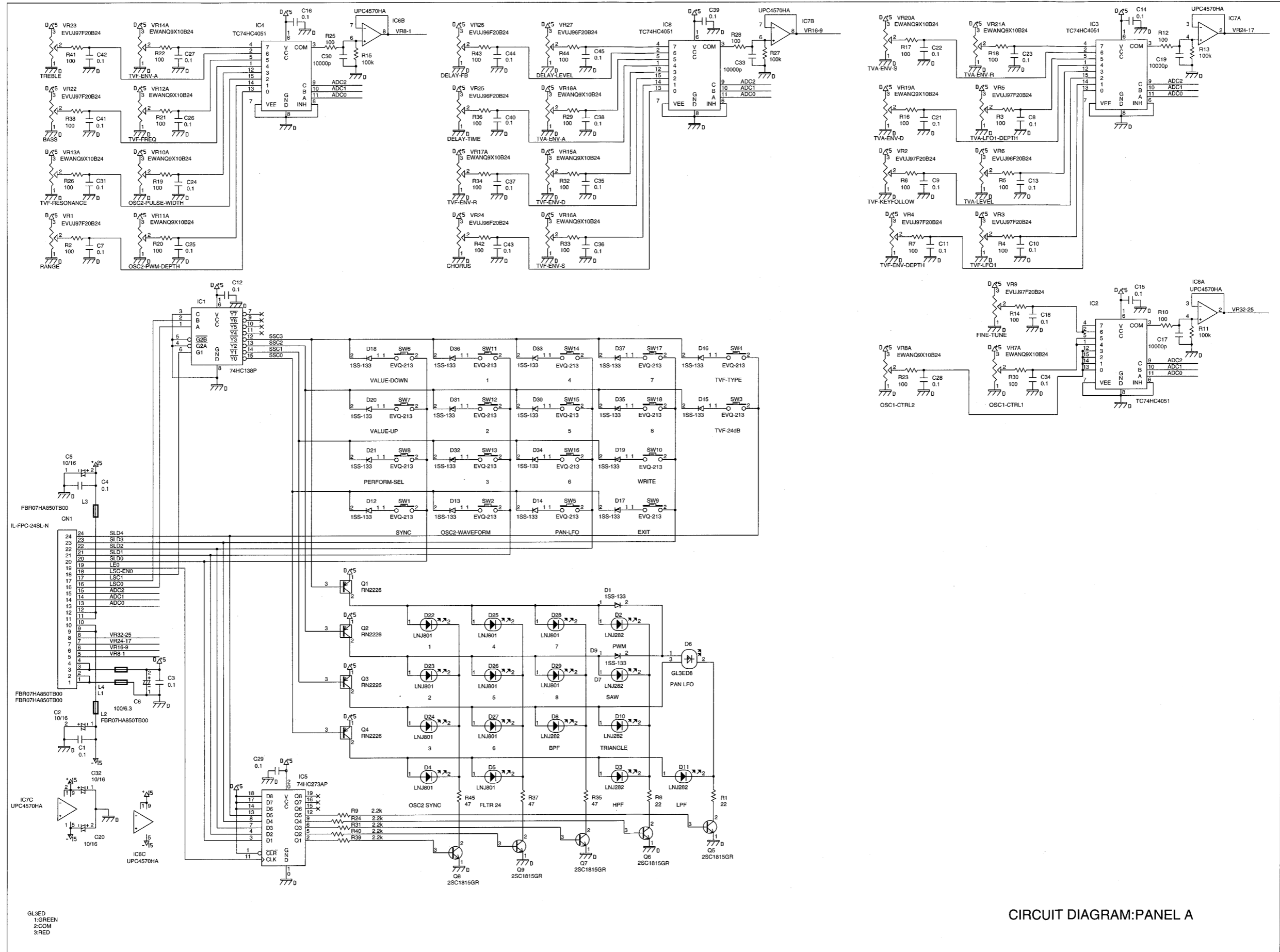


View from component side.

1 2 3 4 5 6 7 8 9 10 11 12 13 14 15 16 17 18 19 20 21 22 23 24 25 26 27 28 29 30 31 32 33 34 35 36 37 38 39 40

A Circuit Diagram / 回路図 (Panel A)

B
C
D
E
F
G
H
I
J
K
L
M
N
O
P
Q
R
S
T
U
V

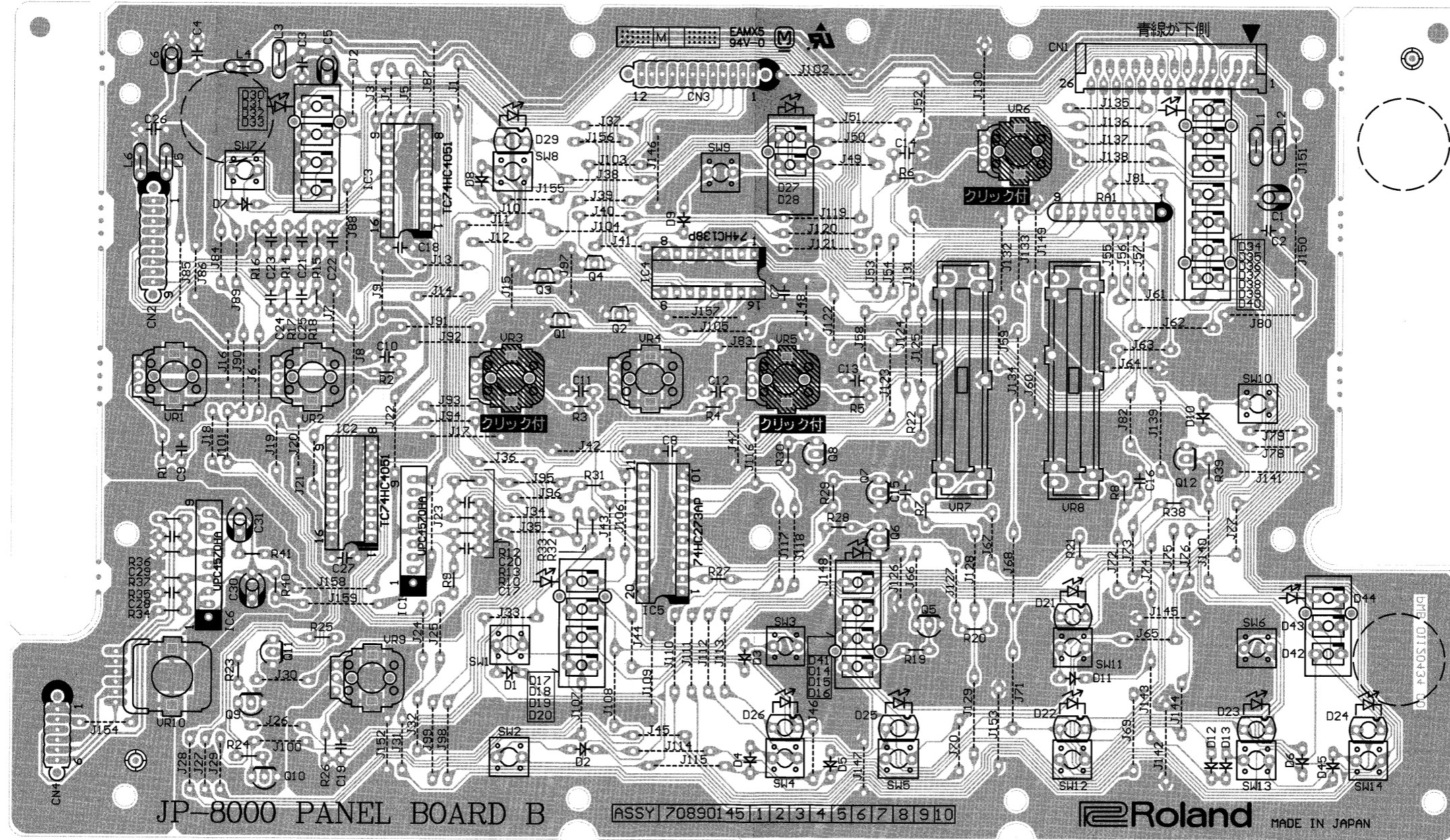


CIRCUIT DIAGRAM: PANEL A

1 2 3 4 5 6 7 8 9 10 11 12 13 14 15 16 17 18 19 20 21 22 23 24 25 26 27 28 29 30 31 32 33 34 35 36 37 38 39 40

A Circuit Board / 基板図 (Panel B)

B
C
D
E
F
G
H
I
J
K
L
M
N
O
P
Q
R
S
T
U
V

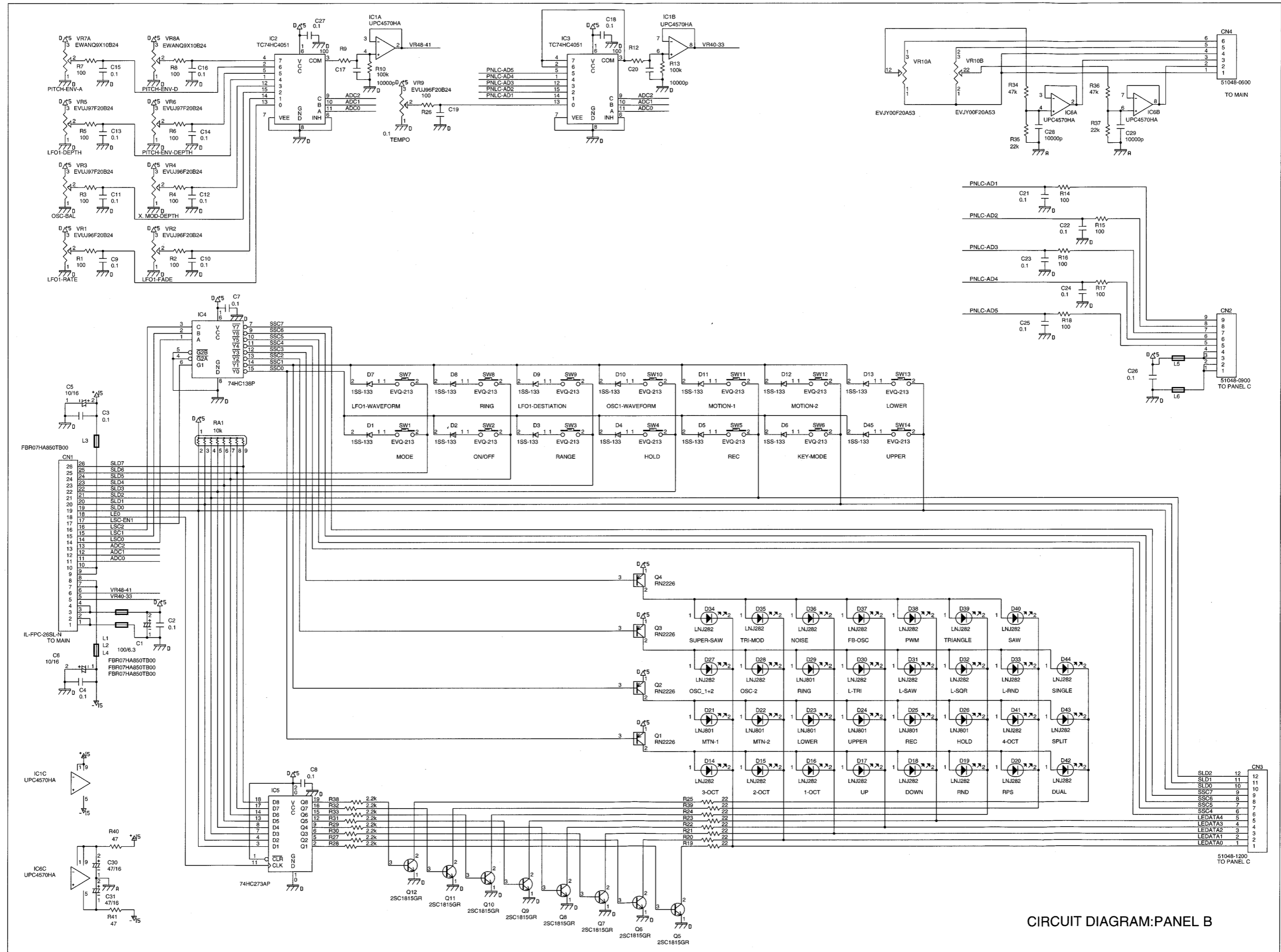


View from component side.

1 2 3 4 5 6 7 8 9 10 11 12 13 14 15 16 17 18 19 20 21 22 23 24 25 26 27 28 29 30 31 32 33 34 35 36 37 38 39 40

A Circuit Diagram / 回路図 (Panel B)

B
C
D
E
F
G
H
I
J
K
L
M
N
O
P
Q
R
S
T
U
V

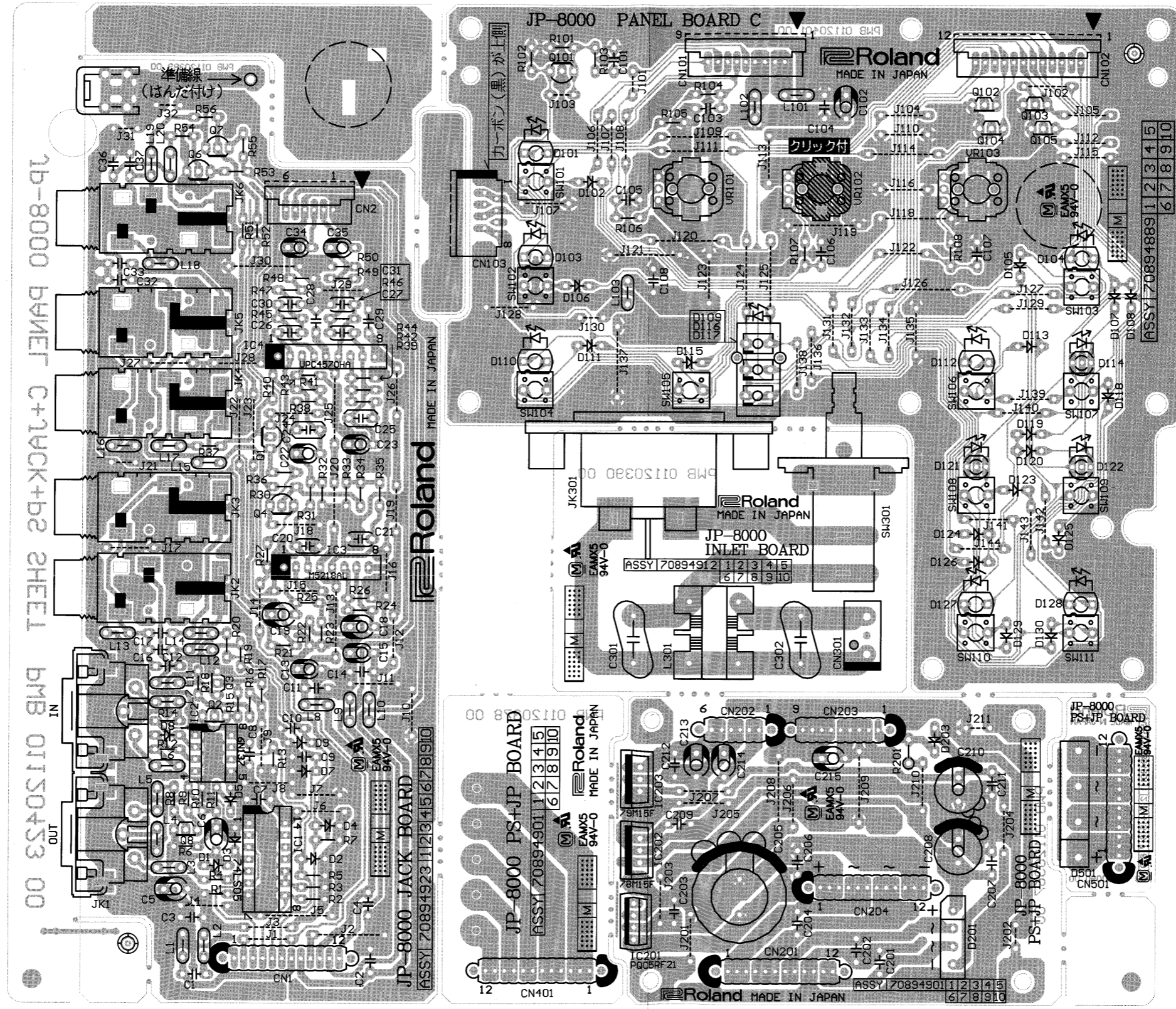


CIRCUIT DIAGRAM: PANEL B

1 2 3 4 5 6 7 8 9 10 11 12 13 14 15 16 17 18 19 20 21 22 23 24 25 26 27 28 29 30 31 32 33 34 35 36 37 38 39 40

A Circuit Board / 基板図 (Panel C, Jack, Power supply)

B
C
D
E
F
G
H
I
J
K
L
M
N
O
P
Q
R
S
T
U
V

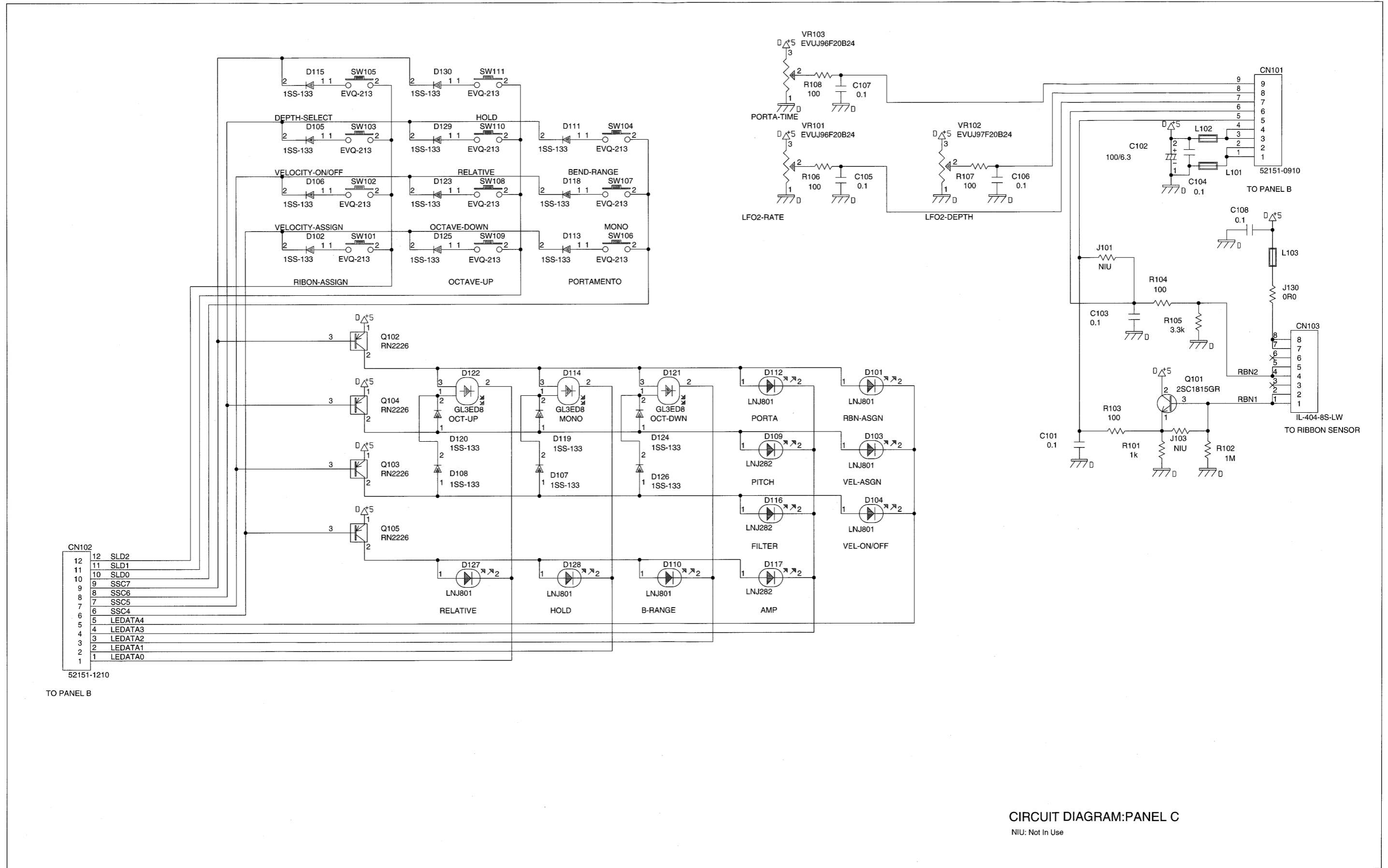


View from component side.

1 2 3 4 5 6 7 8 9 10 11 12 13 14 15 16 17 18 19 20 21 22 23 24 25 26 27 28 29 30 31 32 33 34 35 36 37 38 39 40

A Circuit Diagram / 回路図 (Panel C)

B
C
D
E
F
G
H
I
J
K
L
M
N
O
P
Q
R
S
T
U
V

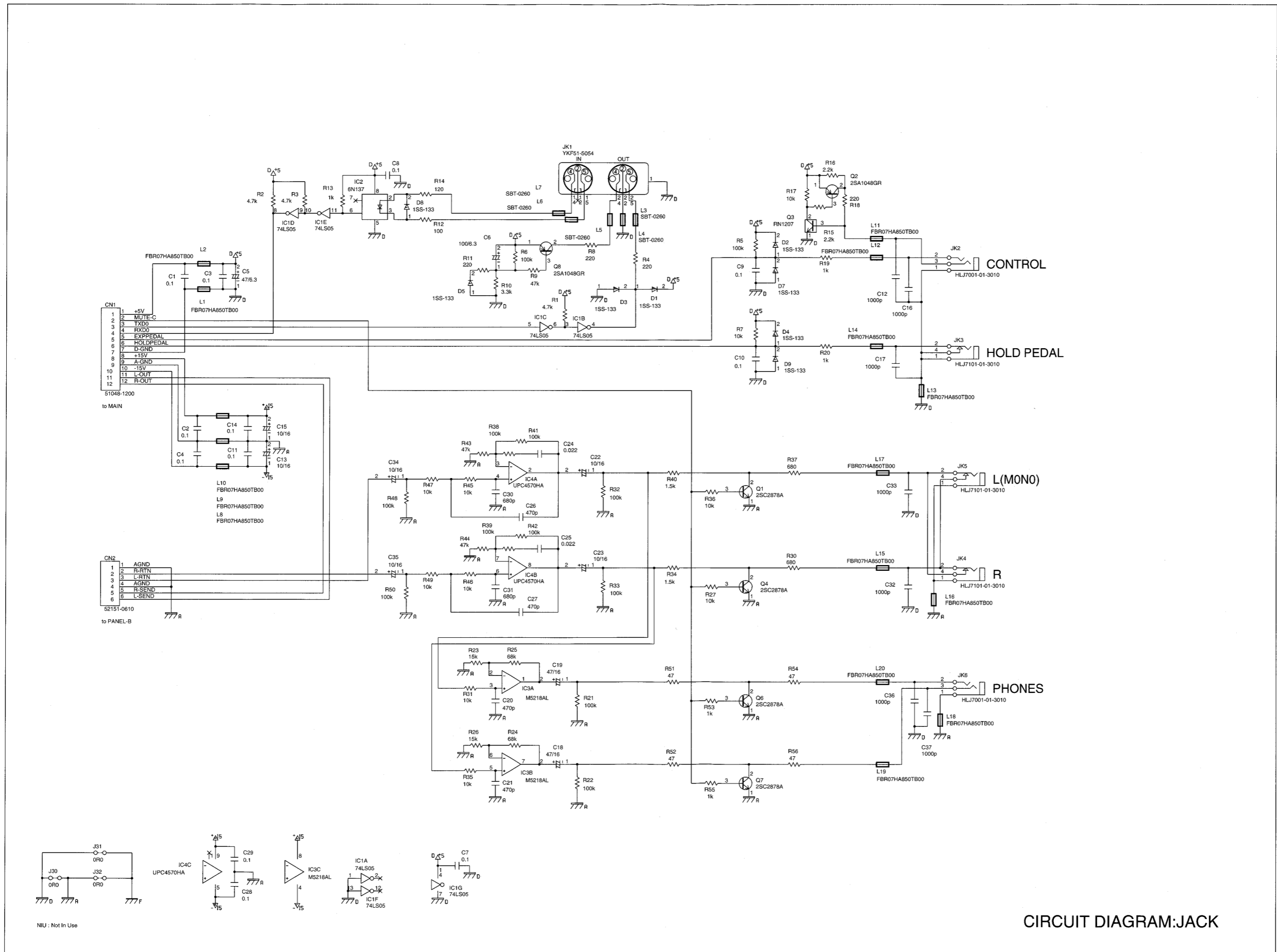


CIRCUIT DIAGRAM: PANEL C
NIU: Not In Use

1 2 3 4 5 6 7 8 9 10 11 12 13 14 15 16 17 18 19 20 21 22 23 24 25 26 27 28 29 30 31 32 33 34 35 36 37 38 39 40

A Circuit Diagram / 回路図 (Jack)

B
C
D
E
F
G
H
I
J
K
L
M
N
O
P
Q
R
S
T
U
V

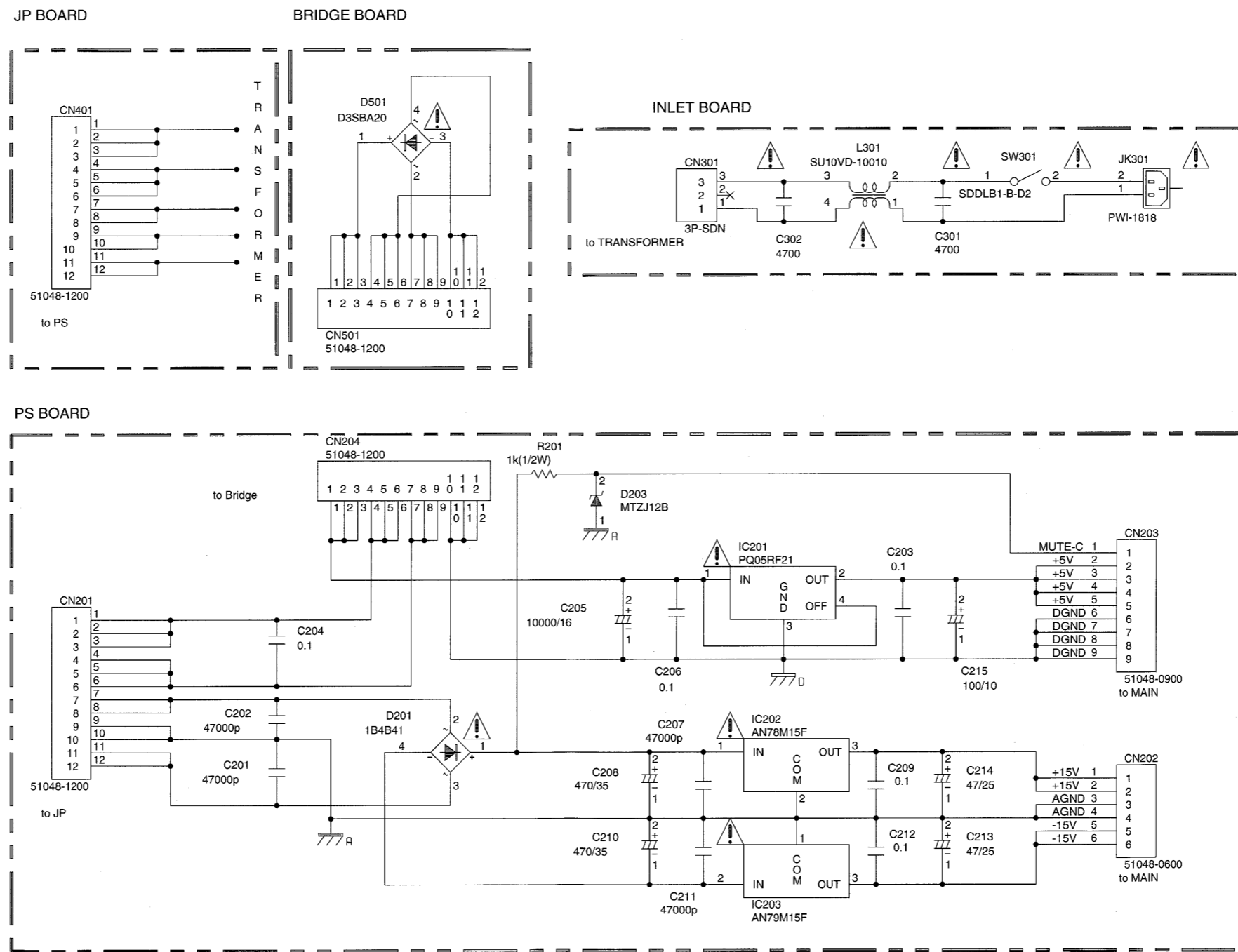


CIRCUIT DIAGRAM:JACK

1 2 3 4 5 6 7 8 9 10 11 12 13 14 15 16 17 18 19 20 21 22 23 24 25 26 27 28 29 30 31 32 33 34 35 36 37 38 39 40

A
B
C
D
E
F
G
H
I
J
K
L
M
N
O
P
Q
R
S
T
U
V

Circuit Diagram / 回路図 (Power supply)



CIRCUIT DIAGRAM:POWER SUPPLY